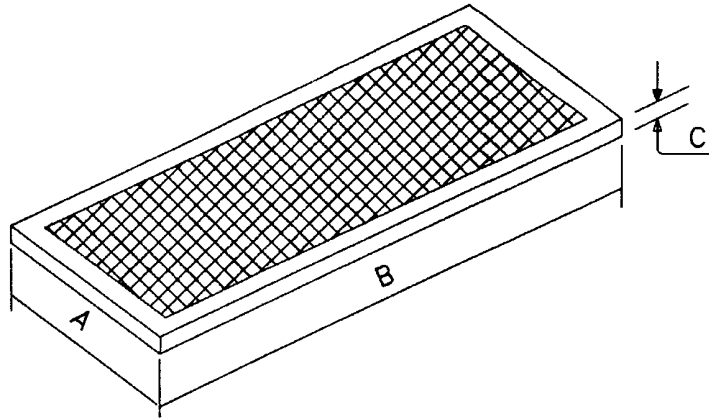




# ENGINEERING SPECIFICATION

|            |                     |
|------------|---------------------|
| Part No.   | 801-041-SUF (30-32) |
| Ref. Code  | 306                 |
| U.O.M.     | EA                  |
| Engg. Ref. | SEE TABLE           |

**Part Description : ALUMINUM FILTER - SIZE 2" THICKNESS**



**VENDOR : DAFF/ EXCEL**  
**FRAME : ALUMINUM**  
**MEDIA : EXPANDED ALUMINUM FOILS CORRAGATED FOR DEPTH**

| SUF No | REV No | Nominal Width "A" (In) | Nominal Height "B" (In) | Nominal Thickness "C" (In) | Actual Width "A" (In) | Actual Height "B" (In) | Actual Thickness "C" (In) | Actual Width "A" (mm) | Actual Height "B" (mm) | Actual Thickness "C" (mm) | ENGG. REF                                 |
|--------|--------|------------------------|-------------------------|----------------------------|-----------------------|------------------------|---------------------------|-----------------------|------------------------|---------------------------|---|
| 30     | 01     | 24                     | 12                      | 2                          | 23.5                  | 11.5                   | 1.875                     | 597                   | 292                    | 47.5                      | PY240/300/340/360& KW SERIES              |
| 31     | 01     | 24                     | 20                      | 2                          | 23.5                  | 19.5                   | 1.875                     | 597                   | 495                    | 47.5                      | BY14/18/25& KW SERIES                     |
| 32     | 01     | 24                     | 24                      | 2                          | 23.5                  | 23.5                   | 1.875                     | 597                   | 597                    | 47.5                      | BY25,PY180/210/240/300/340/360& KW SERIES |

|  |                         |  |  |              |               |               |                                    |
|--|-------------------------|--|--|--------------|---------------|---------------|------------------------------------|
| Tolerance: : Unless noted (±) : fraction 1/32" ; Decimal 0.8mm |                         |  |  | SHEET 1 of 1 |               | SCALE : N.T.S |                                    |
|  |                         |  |  | WRITER       | AL-ALI HUSAIN |               |                                    |
|  |                         |  |  | INITIATOR    | ANWAR         |               |                                    |
|  |                         |  |  | CHECK        | M. ABUDAYYA   |               |                                    |
|  |                         |  |  | VERIFIED     | Mod. ALSAYYED |               |                                    |
|  |                         |  |  | APPROVAL     | MATHEW        |               |                                    |
| 01   | ADDED NOMINAL SIZE DIM. |  |  | HUSAIN       | 29-05-05      | Issue Date    | 30-03-2000                         |
| Rev #  | Revision Details        |  |  | Designer     | Rev.Date      | File Ref.     | Ziiceip001\Eng-Specs\801\ 04130-32 |