



**COMPONENT-MATERIAL
ENGINEERING SPECIFICATION**

Part No.	800-181-07	REV 02
Ref. Code	212	
U.O.M.	EA	
Engg. Ref.	AD	

Part Description : EXPANSION VALVE; TGEN20; 1-1/8x1-3/8

U2-1

BASIC REQUIREMENTS	
BODY MATERIAL	BRASS
CONNECTION SIZE (INLET/OUTLET) (ODF)	1-1/8x1-3/8
MAX. OPERATING PRESSURE	667 psig
CERTIFICATION REQUIREMENTS	N/A
PACKING REQUIREMENTS	CARTON
PART SHALL BE SUITABLE FOR USAGE IN REFRIGERATION SYSTEM AND MATERIAL USED IS COMPATIBLE WITH R134a	

REFERENCE DATA	
VENDOR	DANFOSS
VENDOR PART No.	TGEN20
CAPACITY AT ARI CONDITION	20 TON
MOP POINT MOP55	15°C
EQUALIZATION SIZE	1/4" (ODF)
CAPILLARY TUBE LENGTH	10FT
DIMENSIONAL DETAILS FOR THE PART AS SPECIFIED IN THE ENCLOSED ENGINEERING DRAWING	

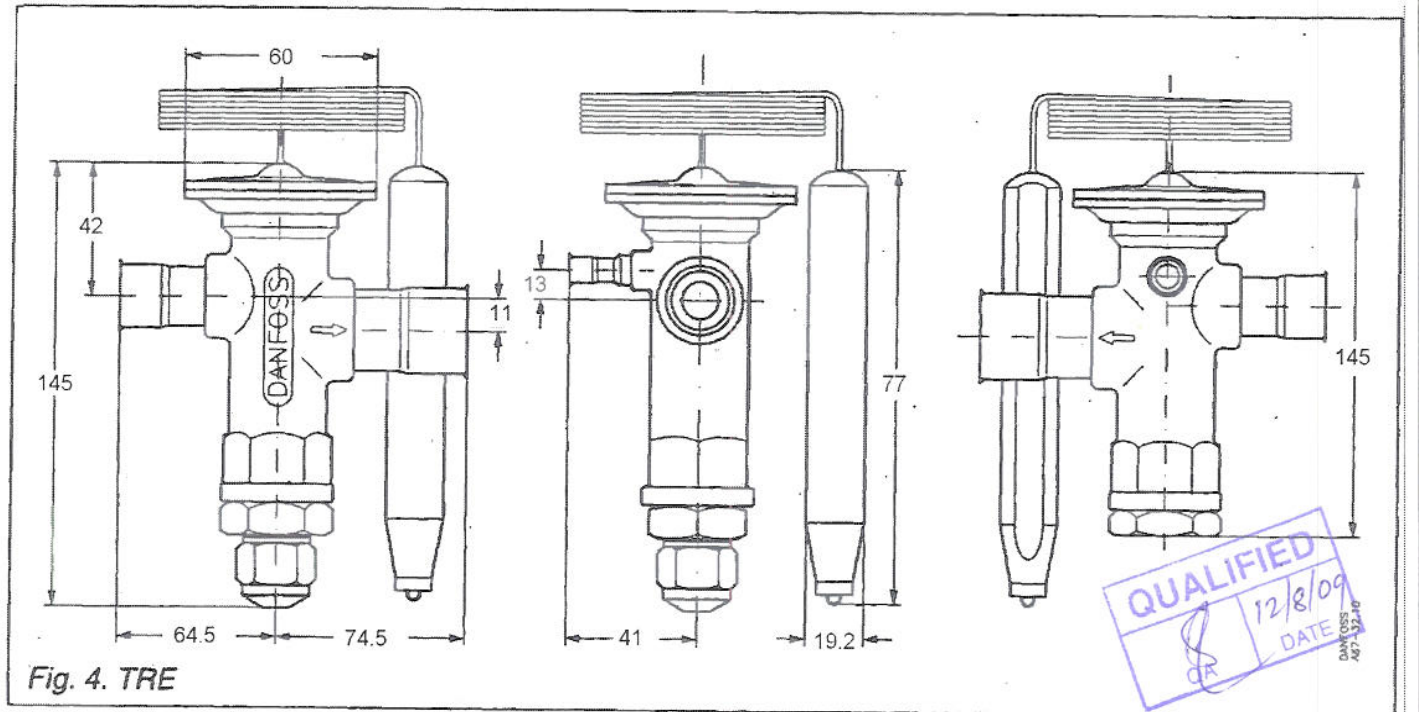
ALL DIMENSIONS ARE IN mm (BRACKET DIMENSIONS ARE IN INCHES)				SHEET 1 of 2		SCALE : N.T.S	
Tolerance: : Unless noted (±) : fraction 1/32" ; Decimal 0.031				WRITER	AL-ALI. HUSAIN		
				INITIATOR	NARENDRA		
				ENG. CHECK	OTHMAN		
				VERIFIED	OTHMAN		
02	OPERATING PRESSURE WAS 670	HUSAIN	05-08-09	APPROVED	SAMI BANAT		
01	VENDOR MODEL WAS TRE40-20N	HUSAIN	26-04-09	Issue Date	26-09-2006		
REV	Revision Details	Designer	Rev.Date	File Ref.	Ziicnas\Eng-Specs\800\18107		

Part No.	800-181-07	REV	02
Ref. Code	212		
U.O.M.	EA		
Engg. Ref.	AD		

Part Description : EXPANSION VALVE; TGEN20; 1-1/8x1-3/8

U2-2

OPERATIONAL REQUIREMENTS	
BODY MATERIAL	BRASS
CONNECTION SIZE	1-1/8 x 1-3/8
CERTIFICATION MARKING	N/A
WEIGHT	1.06 Kg
DIMENSIONAL DETAILS AS SPECIFIED THROUGH ENCLOSED DRAWING	
DANFOSS	



ALL DIMENSIONS ARE IN mm (BRACKET DIMENSIONS ARE IN INCHES)				SHEET 2 of 2		SCALE : N.T.S	
Tolerance: : Unless noted (±) : fraction 1/32" ; Decimal 0.031				WRITER	AL-ALI. HUSAIN		
				INITIATOR	NARENDRA		
				ENG. CHECK	OTHMAN		
				VERIFIED	OTHMAN		
02	OPERATING PRESSURE WAS 670	HUSAIN	05-08-09	APPROVED	SAMI BANAT		
01	VENDOR MODEL WAS TRE40-20N	HUSAIN	26-04-09	Issue Date	26-09-2006		
REV	Revision Details	Designer	Rev.Date	File Ref.	Ziicnas/Eng-Specs/800\18107		