



**COMPONENT-MATERIAL
ENGINEERING SPECIFICATION**

Part No.	800-181-20	REV	00
Ref. Code	212		
U.O.M.	EA		
Engg. Ref.	AD		

Part Description : EXPANSION VALVE; TRE80-35N; 1-1/8x1-3/8

U1-1

BASIC REQUIREMENTS

BODY MATERIAL	BRASS
CONNECTION SIZE (INLET/OUTLET)	1-1/8x1-3/8
MAX. OPERATING PRESSURE	600 psig
TUBE LENGTH	3 METER
CERTIFICATION REQUIREMENTS	N/A
PACKING REQUIREMENTS	CARTON
PART SHALL BE SUITABLE FOR USAGE IN REFRIGERATION SYSTEM AND MATERIAL USED IS COMPATIBLE WITH R134a	

REFERENCE DATA

VENDOR	DANFOSS
VENDOR PART No.	TRE80-35N
DIMENSIONAL DETAILS FOR THE PART AS SPECIFIED IN THE ENCLOSED ENGINEERING DRAWING	

QUALIFIED
 17 APR 2007
 QA DATE

ALL DIMENSIONS ARE IN mm (BRACKET DIMENSIONS ARE IN INCHES)				SHEET 1 of 2		SCALE : N.T.S	
Tolerance: : Unless noted (±) : fraction 1/32" ; Decimal 0.031				WRITER	AL-ALI. HUSAIN		
				INITIATOR	OTHMAN		
				ENG. CHECK	OTHMAN		
				VERIFIED	SAMI BANAT		
				APPROVED	SAMI BANAT		
				Issue Date	14-04-2007		
REV	Revision Details	Designer	Rev.Date	File Ref.	Ziicnas\Eng-Specs\800\18120		

Part No.	800-181-20	REV 00
Ref. Code	212	
U.O.M.	EA	
Engg. Ref.	AD	

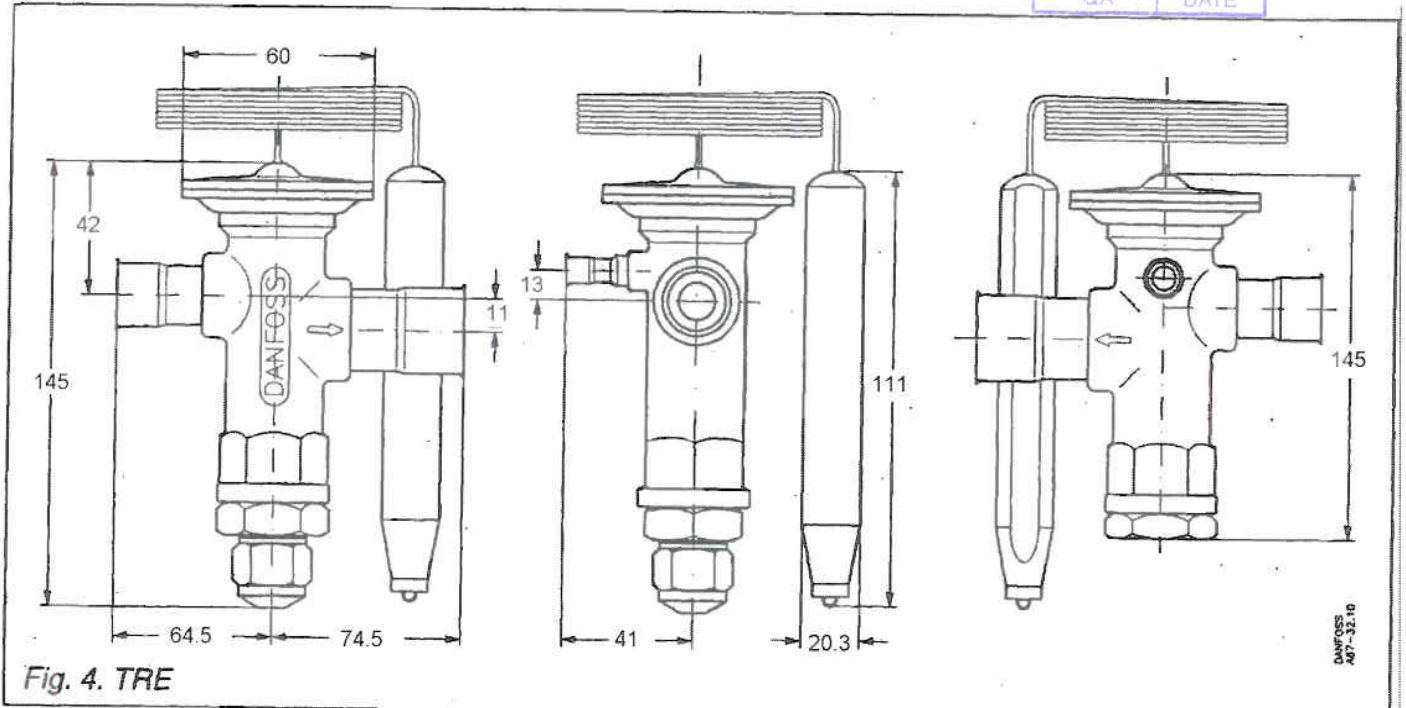
Part Description : EXPANSION VALVE; TRE80-25N; 1-1/8x1-3/8


U1-2

OPERATIONAL REQUIREMENTS	
BODY MATERIAL	BRASS
CONNECTION SIZE	1-1/8 x 1-3/8
CERTIFICATION MARKING	N/A
DIMENSIONAL DETAILS AS SPECIFIED THROUGH ENCLOSED DRAWING	
DANFOSS	



 17 APR 2007
 QA DATE



ALL DIMENSIONS ARE IN mm (BRACKET DIMENSIONS ARE IN INCHES)				SHEET 2 of 2		SCALE : N.T.S	
Tolerance: : Unless noted (±) : fraction 1/32" ; Decimal 0.031				WRITER	AL-ALI. HUSAIN		
				INITIATOR	OTHMAN		
				ENG. CHECK	OTHMAN		
				VERIFIED	SAMI BANAT		
				APPROVED	SAMI BANAT		
				Issue Date	14-04-2007		
REV	Revision Details	Designer	Rev.Date	File Ref.	Zicnas\Eng-Specs\800\18120		