

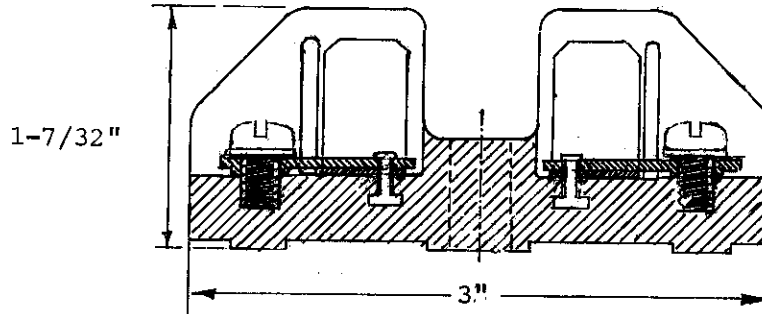
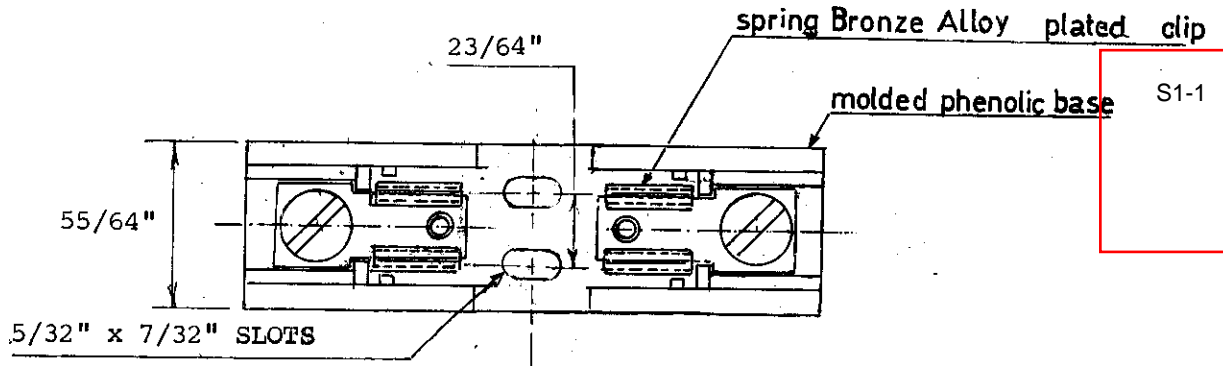


ENGINEERING SPECIFICATION

PART: FUSE BLOCK 13/32"x1-1/2,"1 POLE

PART NO. 800-036-01

REV: 06



VENDOR	VENDOR #	POLES	AMPS	VOLT	FUSE SIZE (DIA X LTH)
BUSSMAN	BM603180	1	30	600V	13/32"x1-1/2"
MORATION	6M30AIS	1	30	600V	13/32"x1-1/2"

		AL-ZAMIL REFRIGERATION INDUSTRIES	
		SHEET 1	OF 1 SHEETS
06	VENDOR BUSSMAN # WAS 2807 5/32 x 7/32 SLOT WAS 5/32 HL. W/C BORE	<i>[Signature]</i>	CHECKED BY C. RANGANATHAM <i>[Signature]</i> 17/9/81
05	DELETED Q.C TERM (2 PLCS)	6/3/83	APPROVED BY GERALD SMITH <i>[Signature]</i> 19/9/81
REVISIONS	DATE	ISSUE DATE	04-04-81
			REV. 06