

Apt Controls & Appliances Private Limited

Works: Unit Nos. 120 & 121, Building 'I', Udyog Vihar Industrial Estate,
Vithalwadi West, Ulhasnagar 421 003, Dist: Thane,
Maharashtra State, INDIA.

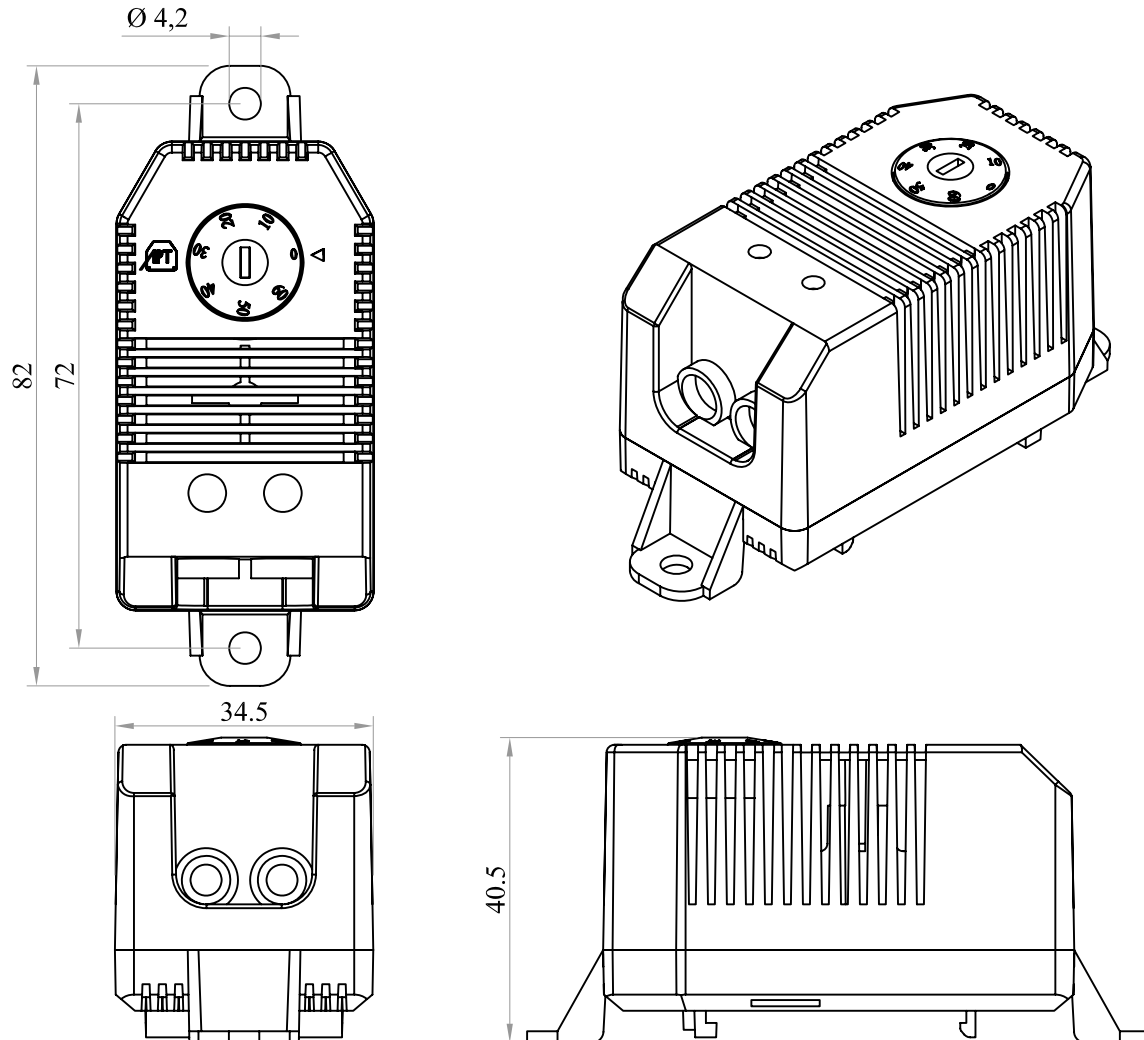
Email: thermostats@vsnl.com
URL: www.aptcontrolsindia.com

Telefax nos. (+91251) 255 1753
255 7986

000



Enclosure Thermostat



TECHNICAL DATA

Thermostat Type	Heating Thermostat	Cooling Thermostat
Contact Configuration	Contacts opening on temperature rise	Contacts closing on temperature rise
Product Identification	Red Colour Knob with Off White Body	Blue Colour Knob with Off White Body
Sensor Element	Thermostatic Bimetal	
Temperature range	0 to 60 °C ± 3K	
Switching differential	less than 6 K at a temperature change of > 1K / min	
Service Life	100,000 cycles	
Switching capacity	10A resistive @ 250 V AC	
Terminals	Suitable for AWG 14 (2.5 mm ²) wires	
Mounting	Clip for 35mm DIN rail or Screw mountable	