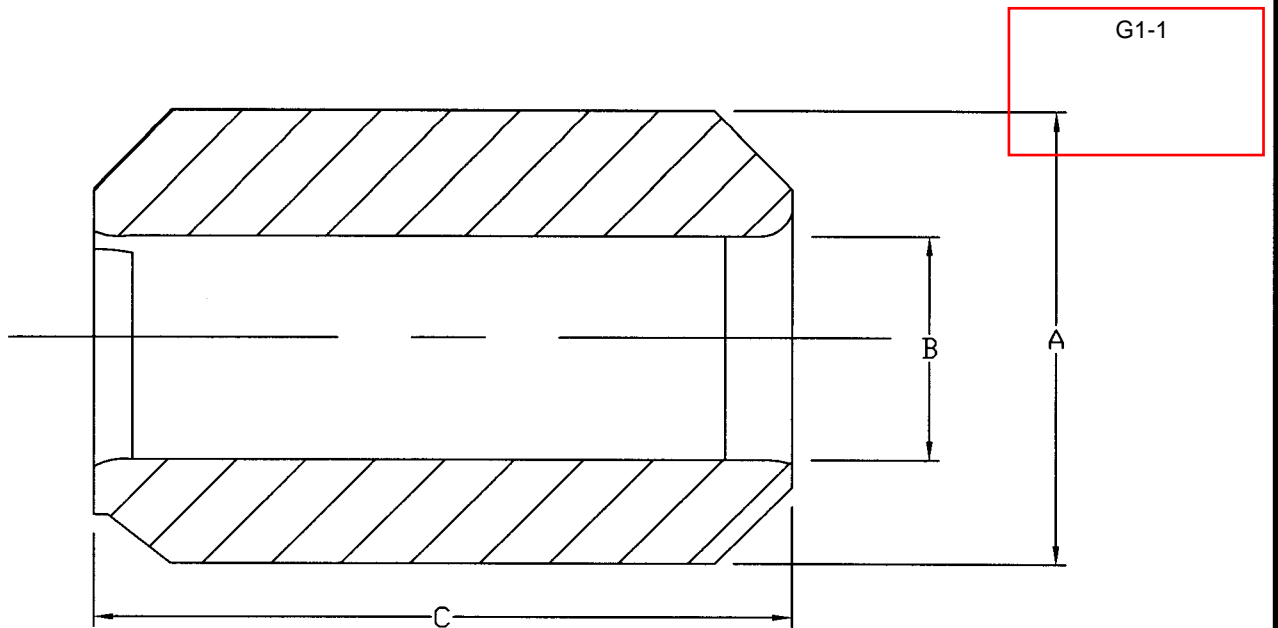


**Part Description : REPLACEABLE ACID REMOVAL CORE**



APPROVED VENDOR	VENDOR DESCRIPTION	FUNCTION	(A)	(B)	(C)	WEIGHT(Ib)	APPLICABLE
ALCO	D-48	WATER+ACID REMOVAL	3.74	1.77"	5.50"	1.5	R-12; R-134a; R-22; R407c
SPORLAN	RC-4864	WATER+ACID REMOVAL	3.74"	1.75"	5.50"	2.5	R-12; R-134a; R-22; R407c
DANFOSS	48-DC	WATER+ACID REMOVAL	3.74"	1.73"	5.43"	1.76	R-12; R-134a; R-22; R407c

ALL DIMENSIONS ARE IN INCHES (BRACKET DIMENSIONS ARE IN mm.)				SHEET 1 OF 1		SCALE : N.T.S.	
Tolerance: Unless noted(±):Fraction: 1/32; Decimal: 0.031"				WRITER	AL-ALI. HUSAIN		
08	ADDED NEW VENDOR (DANFOSS)	HUSAIN	25-12-05	INITIATOR	YOUSEF		
07	MOVE SUFF 65 TO SEPARATE SPECS	HUSAIN	08-11-04	CHECK	M.KHAWALDEH		
06	UPDATED IN NEW FORMAT - NO CHANGE	SHUJAT	22-07-02	VERIFIED	Moh'd Al Sayyed		
05	ADDED REVISION NOS	SHUJAT	03-04-96	VERIFIED	FAWAZ AL-BITAR		
04	ADDED REFRIGERANT R-22	SHUJAT	09-05-88	Issue Date	01-01-1983		
REV	Revision Details	Designer	Rev.Date	File Ref.	Zacsr2\Eng-specs\800\02765		