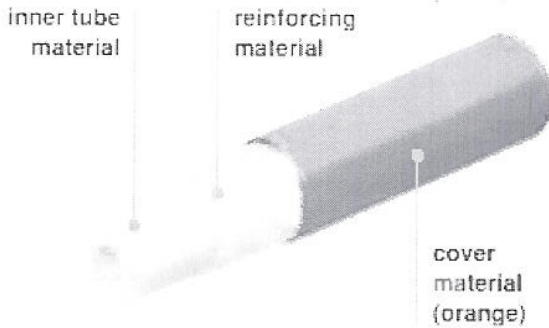


**COMPONENT-MATERIAL
ENGINEERING SPECIFICATION**

Part No.	800-040-SU (40-49)
Ref. Code	212
U.O.M.	EA
Engg. Ref.	CAC

Part Description : CAPILLARY HOSE ASSEMBLY WITHOUT VALVE OPENER



F2-1

QUADRA HOSE MATERIALS		
Inner tube material	Reinforcing material	Material rivestimento
Thermoplastic polymer	High tensile strength polyester braid with high modulus	Thermoplastic polymer

VENDOR : GOMAX
MODEL NO : QUADRA DN2
OUTSIDE DIAMETR : 5.9mm
MAX. WORKING PRESSURE : 60 bar
MAX WORKING TEMPERATURE : 130°C
TUBE COLOUR : ORANGE



MODEL No	(ID)	(OD)	WORKING PRESSURE	MIN. BEND RADIUS	COLOR
	mm	mm	BAR (PSI)	mm	
QUADRA DN2	2.0	5.9	60 (870)	10	ORANGE

NOTE:
 QUADRA DN2 Capillary hose is fixed on both ends with "1/4" Straight female fitting without valve opener".

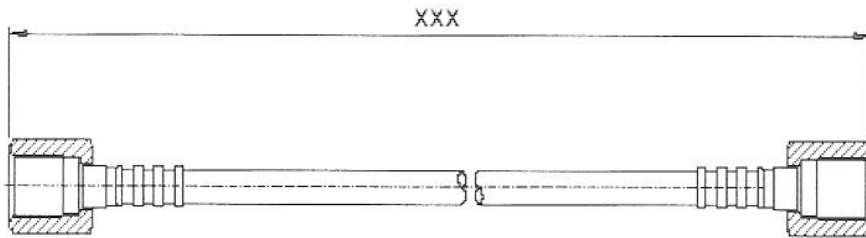
ALL DIMENSIONS ARE IN mm (BRACKET DIMENSIONS ARE IN INCHES)				SHEET 1 of 2		SCALE : N.T.S	
Tolerance: : Unless noted (±) : fraction 1/32" ; Decimal 0.031				WRITER	ANSAR AHMED		
				VERIFIED	ALMAR		
				ENG. CHECK	ENG ABBADI		
				APPROVED	AL SAYYED		
01	SUFF 49 IS ADDED			JAWEED.U	01-09-09	Issue Date	14-07-08
REV	Revision Details			Designer	Rev.Date	File Ref.	Ziicnas\Eng-Specs\800\040_SU



**COMPONENT-MATERIAL
ENGINEERING SPECIFICATION**

Part No.	800040_SU(40-49)
Ref. Code	212
U.O.M.	EA
Engg. Ref.	CAC

Part Description : CAPILLARY HOSE ASSEMBLY WITHOUT VALVE OPENER

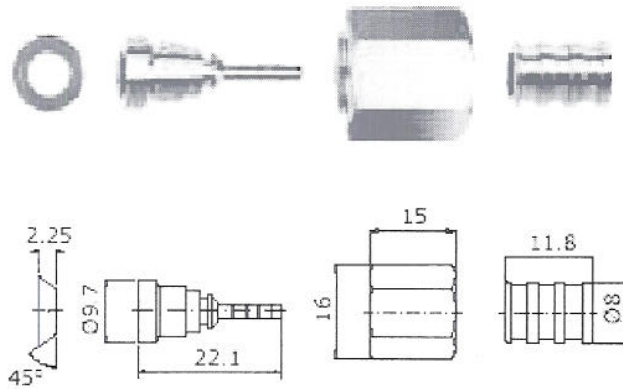


CAAXXX	Quadra DN2 capillary hose with 1/4 SAE straight female fittings.
--------	--

F2-2

1/4 straight female fitting

DN2



ZAMIL P/N	REV	VENDOR MODEL	DESCRIPTION	LENGTH (mm)
40	00	CAA020	QUADRA 2 FEM/FEM 1/4SAE 0.20 m	0.20 m
41	00	CAA100	QUADRA 2 FEM/FEM 1/4SAE 1.00 m	1.00 m
42	00	CAA150	QUADRA 2 FEM/FEM 1/4SAE 1.50 m	1.50 m
43	00	CAA200	QUADRA 2 FEM/FEM 1/4SAE 2.00 m	2.00 m
44	00	CAA250	QUADRA 2 FEM/FEM 1/4SAE 2.50 m	2.50 m
45	00	CAA300	QUADRA 2 FEM/FEM 1/4SAE 3.00 m	3.00 m
46	00	CAA350	QUADRA 2 FEM/FEM 1/4SAE 3.50 m	3.50 m
47	00	CAA450	QUADRA 2 FEM/FEM 1/4SAE 4.50 m	4.50 m
48	00	CAA550	QUADRA 2 FEM/FEM 1/4SAE 5.50 m	5.50 m
49	00	CAA050	QUADRA 2 FEM/FEM 1/4SAE 0.50 m	0.50m

ALL DIMENSIONS ARE IN mm (BRACKET DIMENSIONS ARE IN INCHES)

SHEET 2 of 2

SCALE : N.T.S

Tolerance: : Unless noted (±) : fraction 1/32" ; Decimal 0.031

WRITER	ANSAR AHMED	
VERIFIED	ALMAR	
ENG. CHECK	ENG ABBADI	
APPROVED	AL SAYYED	

01	SUFF 49 IS ADDED	JAWEED.U	01-09-09	Issue Date	14-07-08
REV	Revision Details	Designer	Rev.Date	File Ref.	Ziicnas\Eng-Specs\800\040_SU