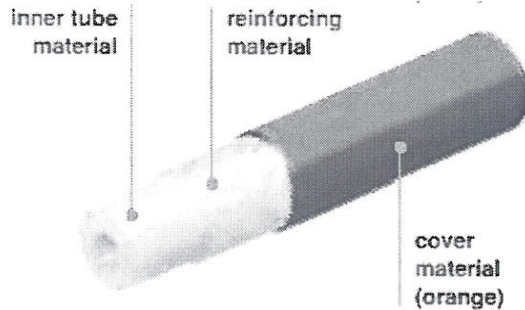




**COMPONENT-MATERIAL  
ENGINEERING SPECIFICATION**

Part No.	800-040-SU (00-08)	REV
Ref. Code	212	00
U.O.M.	EA	
Engg. Ref.	CAC	

**Part Description : CAPILLARY HOSE ASSEMBLY WITH VALVE OPENER**



F1-1

QUADRA HOSE MATERIALS		
Inner tube material	Reinforcing material	Material rivestimento
Thermoplastic polymer	High tensile strength polyester braid with high modulus	Thermoplastic polymer

**VENDOR : GOMAX**  
**MODEL NO : QUADRA DN2**  
**OUTSIDE DIAMETR : 5.9mm**  
**MAX. WORKING PRESSURE : 60 bar**  
**MAX WORKING TEMPERATURE : 130°C**  
**TUBE COLOUR : ORANGE**

MODEL No	(ID)	(OD)	WORKING PRESSURE	MIN. BEND RADIUS	COLOR
	mm	mm	BAR (PSI)	mm	ORANGE
QUADRA DN2	2.0	5.9	60 (870)	10	

**NOTE:**

QUADRA DN2 Capillary hose is fixed on one ends with "1/4" Straight female fitting with valve opener", while the other end is fixed with "1/4" straight female fitting without valve opener".

ALL DIMENSIONS ARE IN mm (BRACKET DIMENSIONS ARE IN INCHES)				SHEET 1 of 2		SCALE : N.T.S	
Tolerance: : Unless noted (±) : fraction 1/32" ; Decimal 0.031				WRITER	ANSAR AHMED		
				VERIFIED	ALMAR		
				ENG. CHECK	ENG ABBADI		
				APPROVED	AL SAYYED		
				Issue Date	14-07-08		
REV	Revision Details			Designer	Rev.Date	File Ref.	Ziicnas\Eng-Specs\800\040_SU

FORMAT # 4200 PE-B-A009





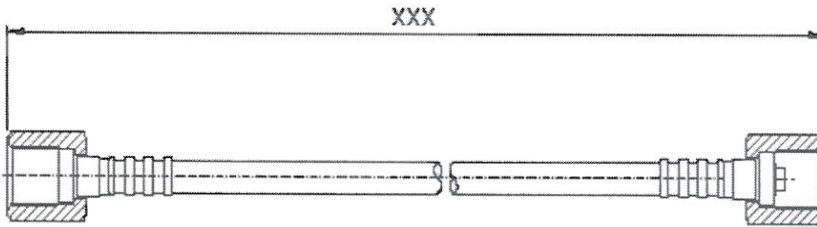
**COMPONENT-MATERIAL  
ENGINEERING SPECIFICATION**

Part No.	800040_SU (00-08)	REV	00
Ref. Code	212		
U.O.M.	EA		
Engg. Ref.	CAC		

**Part Description : CAPILLARY HOSE ASSEMBLY WITH VALVE OPENER**

F1-2

**CCJXXX** Quadra DN2 capillary hose with 1/4 SAE straight female fittings with Schraeder valve opener on one side

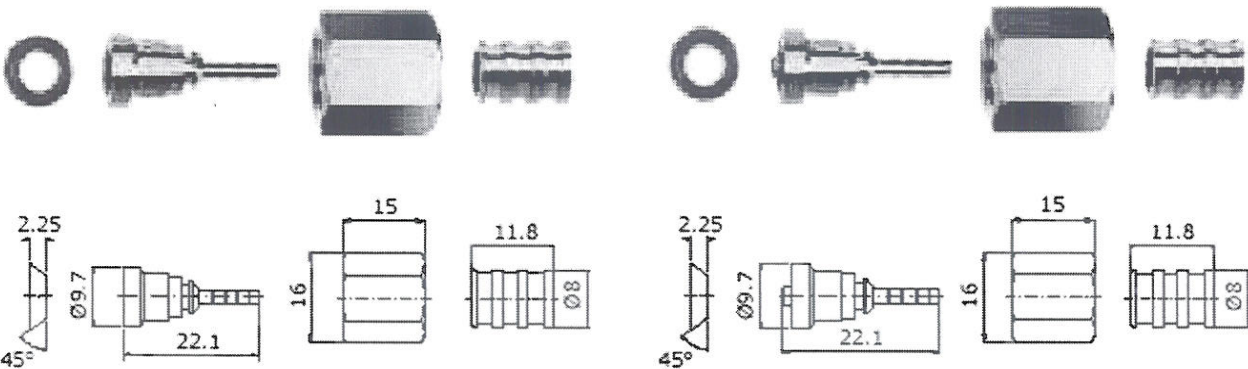


1/4 straight female fitting

DN2

1/4 straight female fitting+valve opener

DN2



ZAMIL P/N	VENDOR MODEL	DESCRIPTION	LENGTH (mm)
00	CCJ020	QUADRA 2 OPEF/FEM 1/4SAE 0.20 m	0.20 m
01	CCJ100	QUADRA 2 OPEF/FEM 1/4SAE 1.00 m	1.00 m
02	CCJ150	QUADRA 2 OPEF/FEM 1/4SAE 1.50 m	1.50 m
03	CCJ200	QUADRA 2 OPEF/FEM 1/4SAE 2.00 m	2.00 m
04	CCJ250	QUADRA 2 OPEF/FEM 1/4SAE 2.50 m	2.50 m
05	CCJ300	QUADRA 2 OPEF/FEM 1/4SAE 3.00 m	3.00 m
06	CCJ350	QUADRA 2 OPEF/FEM 1/4SAE 3.50 m	3.50 m
07	CCJ450	QUADRA 2 OPEF/FEM 1/4SAE 4.50 m	4.50 m
08	CCJ550	QUADRA 2 OPEF/FEM 1/4SAE 5.50 m	5.50 m

ALL DIMENSIONS ARE IN mm (BRACKET DIMENSIONS ARE IN INCHES)				SHEET 2 of 2		SCALE : N.T.S	
Tolerance: : Unless noted (±) : fraction 1/32" ; Decimal 0.031				WRITER	ANSAR AHMED		
				VERIFIED	ALMAR		
				ENG. CHECK	ENG ABBADI		
				APPROVED	AL SAYYED		
				Issue Date	14-07-08		
REV	Revision Details		Designer	Rev.Date	File Ref.	Ziicnas\Eng-Specs\800\040_SU	

FORMAT # 4200 PE-B-A009

