



**RESEARCH & DEVELOPMENT
ENGINEERING SPECIFICATION**

Part No.	800-208-18	Rev.	00
Ref. Code	212		
U.O.M.	EA		
Engg. Ref.	C A C		

Part Description : SERVICE VALVE 7/8" x 7/8" ID SWEAT WITH BRACKET

VENDOR : AUTOMATIC MACHINE PRODUCTS Co. FAX (508) 222-2307

PART No. : AMP # 98003

SIZE : 7/8" x 7/8" ID SWEAT

C3-1

MATERIAL : ALL BRASS

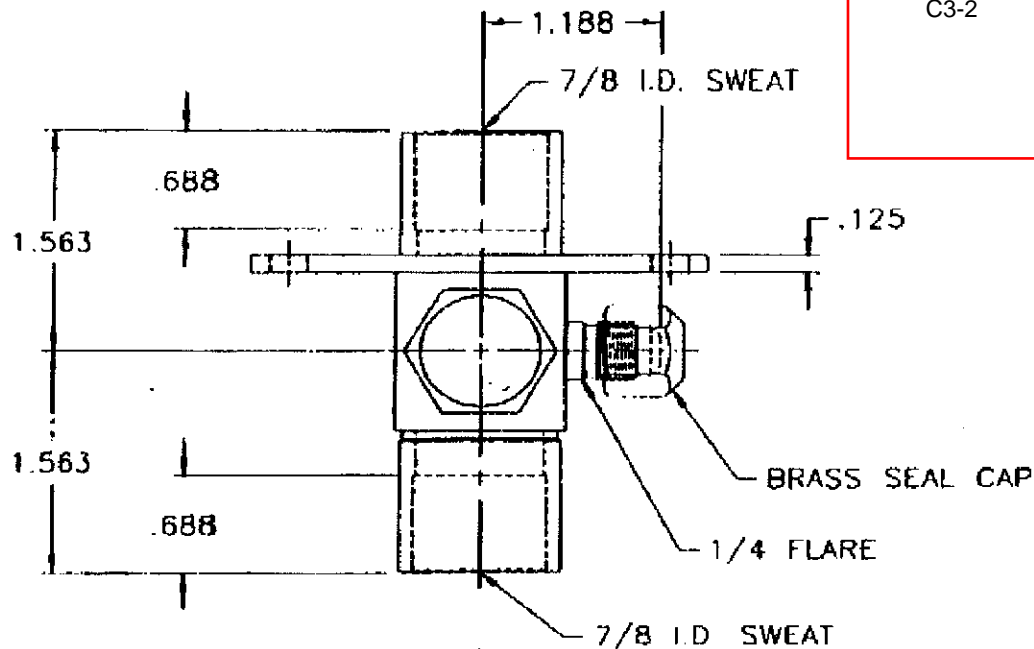
NOTE : COVER ALL INLET & OULET OPENINGS WITH PLASTIC CAPS

ALL DIMENSION ARE IN mm				SHEET 1 of 2		SCALE : N.T.S	
Tolerance : Unless noted (±) : fraction 1/32" ; Decimal 0.031				Prepared by		S.SHUJATULLAH	
				Checked by		M.SIRAJUDDIN	
						MATHEW	
				Approved by		H.A.BOUNYAN	
00	REPLACE P/N 800-207-18	SHUJAT	02-09-02	Issue Date	02-09-2002		
Rev #	Revision Details	Designer	Rev.Date	File Ref.	Zacsr2\Eng-Specs\800\ 20818		

DISK: AD2

C3-2

98003



**PRELIMINARY
ONLY
NOT FOR PRODUCTION**
APPVD: DATE:

