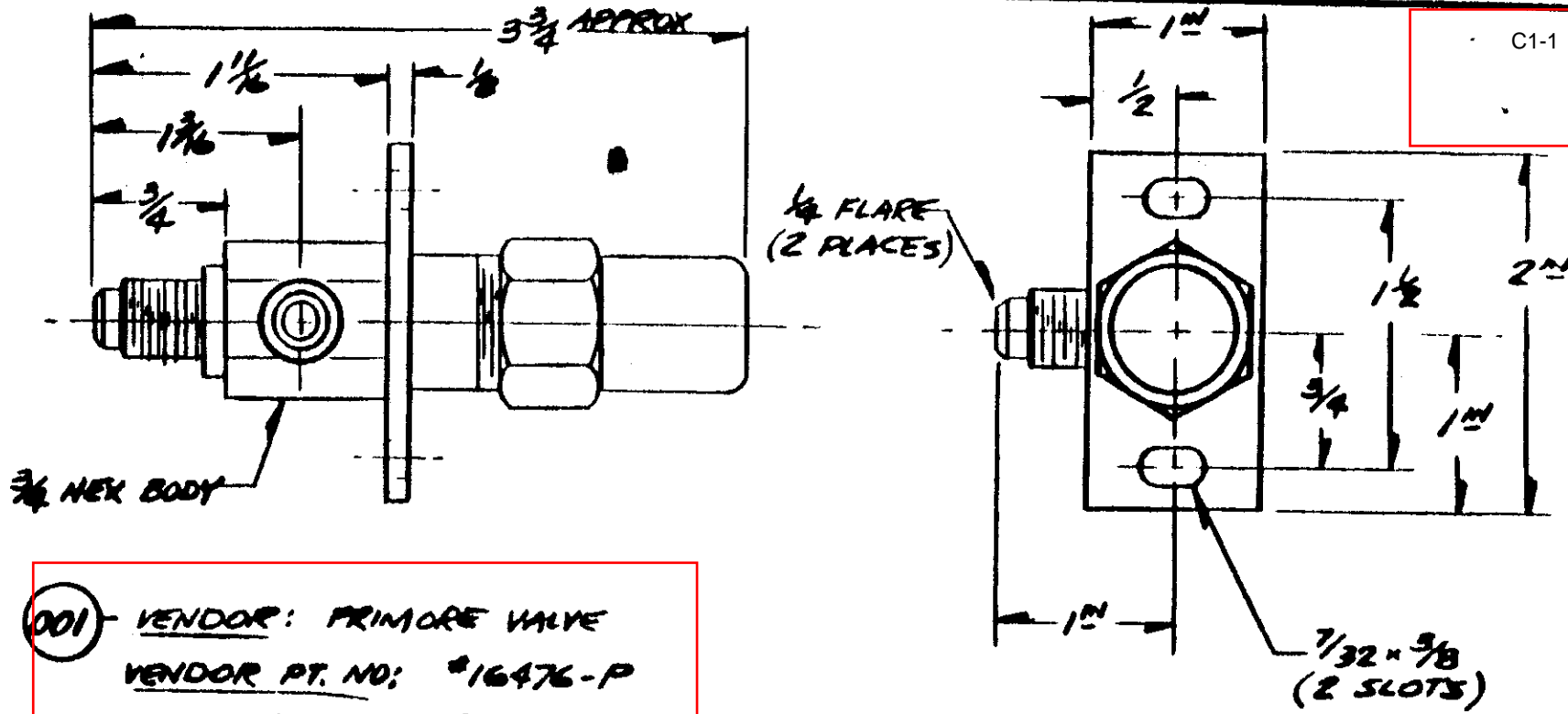


property of DUNHAM-BUSH, INC. This drawing may not, in whole or in part, be duplicated or disclosed or used for manufacture of the part disclosed herein, without the prior written permission of DUNHAM-BUSH, INC."

REV: 00



001 - VENDOR: PRIMORE VALVE
VENDOR PT. NO: #16476-P
FINISH: CAD. PLATED

ARI P/N 800-207-28

SAME AS VAL-458 EXCEPT PLATED

										MAT.		DUNHAM-BUSH, INC. HARRISONBURG, VIRGINIA			
										PART VALVE, FLARE, BRACKET		DRAWN	CHECKED	SCALE FULL	
										FOR APC IACU		TR		DATE 2/9/77	
										TYPE GAUGE/LIGHT MODEL OPTION		PART OF		DRAWING NO.	
										PROD.		ML		A457023	
REVISION										BY		DATE		REL	
2157										✓		C-1373-0		C-1373-0	