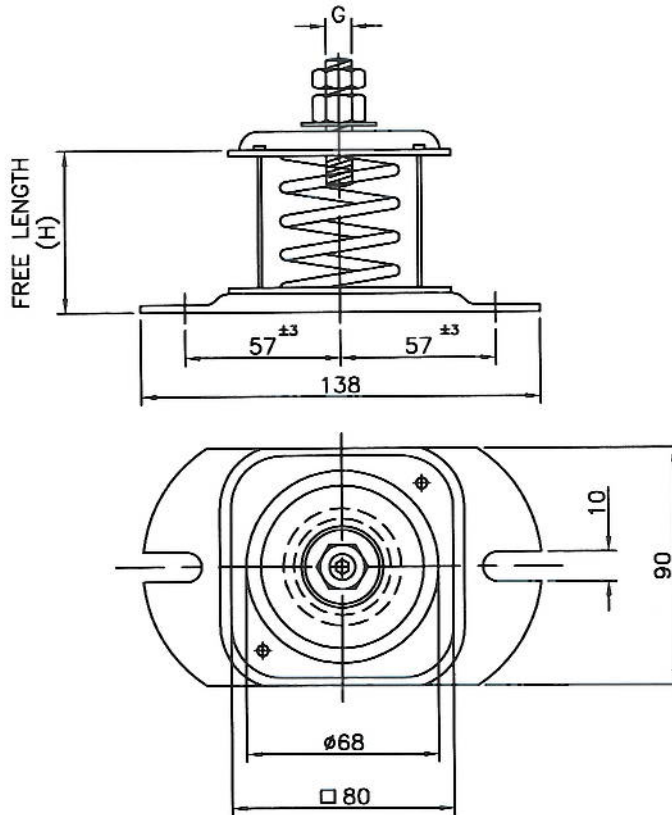


Part No..	801-038-SUF (50-61)
Ref. Code	202
U.O.M.	EA
Engg.Ref.	AD

Part Description: ISOLATOR TYPE EFH

ZZZZ1-1

VENDOR : IT ISOLIERTECHNIK UND SCHALLSCHUTZ GMBH



SUFFIX; P= 70 MICRON POWDER COATING

SU	REV	TYPE	FORCE IN NEWTON		G	H (mm)
			MIN.	MAX.		
50	01	EFH 101 V	125	250	M 10	61
51	01	EFH 103 V	200	400	M 10	61
52	01	EFH 105 V	300	600	M 10	61
53	01	EFH 108 V	450	900	M 10	61
54	01	EFH 112 V	750	1500	M 12	87
55	01	EFH 120 V	1000	2000	M 12	87

SU	REV	TYPE	FORCE IN NEWTON		G	H (mm)
			MIN.	MAX.		
56	01	EFH 130 V	1350	3000	M 12	87
57	01	EFH 103 W	150	360	M 12	83
58	01	EFH 105 W	250	600	M 12	87
59	01	EFH 108 W	400	900	M 12	87
60	01	EFH 112 W	700	1200	M 12	83
61	01	EFH 116 W	900	1600	M 12	83

QUALIFIED
22 DEC 2010
QA DATE

** INFORMATION TO BE PROVIDED BY VENDOR

ALL DIMENSIONS ARE IN mm.

Tolerance: Unless noted(±):Fraction: 1/32; Decimal: 0.031"

SHEET 1 OF 1 SCALE: N.T/S

WRITER AL-ALI HUSSAIN

INITIATOR FAHEEM

CHECK NARENDRA

VERIFIED OTHMAN

APPROVAL SAMI BANAT

01 ADDED NOTE '70 MICRON POWDER COATING' HUSAIN 19-12-10 Issue Date 20-03-2000

Rev# Revision Details Designer Rev.Date File Ref. ZIICNAS\Eng-specs\80103850-61