



**COMPONENT-MATERIAL
ENGINEERING SPECIFICATION**

Part No.	800- 102- SUF (53-57)
Ref. Code	302
U.O.M.	EA
Engg. Ref.	AP

Part Description : BLOWER KIT ASSEMBLY ; FDA .. TL

**APPROVED VENDOR: SOLER & PALAU
FDA250TL (CLII)/ FDA 400TL (CLII)**

WWW1-1

TECHNICAL CHARACTERISTICS:

- SCROLL** : MANUFACTURED FROM HIGH QUALITY GALVANIZED STEEL SHEET.
- WHEEL** : FORWARD CURVED WHEEL ARE MANUFACTURED FROM GALVANISED STEEL. WHEELS ARE STATISTICALLY AND DYNAMICALLY BALANCED IN ACCORDANCE WITH ISO 1940/1,G2.5.
- BLOWER MOUNT** : STEEL FRAME PAINTED WITH EPOXY PAINT
- BEARINGS** : BALL BEARING TYPE HERMATICALLY , SELF ALIGNING AND WITH ACCENTRIC RING FOR CLAMPING TO SHAFT
- SHAFTS** : SHAFTS ARE MANUFACTURED FROM HIGH QUALITY STEEL, KEY WAY AT BOTH ENDS AND AT IMPELLER LOCATION POINT.

BLOWER KIT TO BE COMPRISED AND ASSEMBLED OF THE FOLLOWING ITEMS

- 1-SCROLL
2-WHEEL
3-BEARINGS
4-CUT OFF
5-SHAFT
6-KEY
7-BLOWER/BEARING MOUNTING FRAME
8-OUTLET FLANGE WITH INTERMEDIATE HOLES SUFFIX
- A. INLET VANE CONTROL
 - B. INLET GUARD
 - C. SHAFT GUARD
 - D. INSPECTION DOOR
 - E. DRAIN PLUG
 - F. EXPLOSION PROOF DESIGN
 - G. EXTENDED GREASE LINES
 - H. FAN EPOXY COATED
 - I. SPECIAL DESIGN (SPECIFY



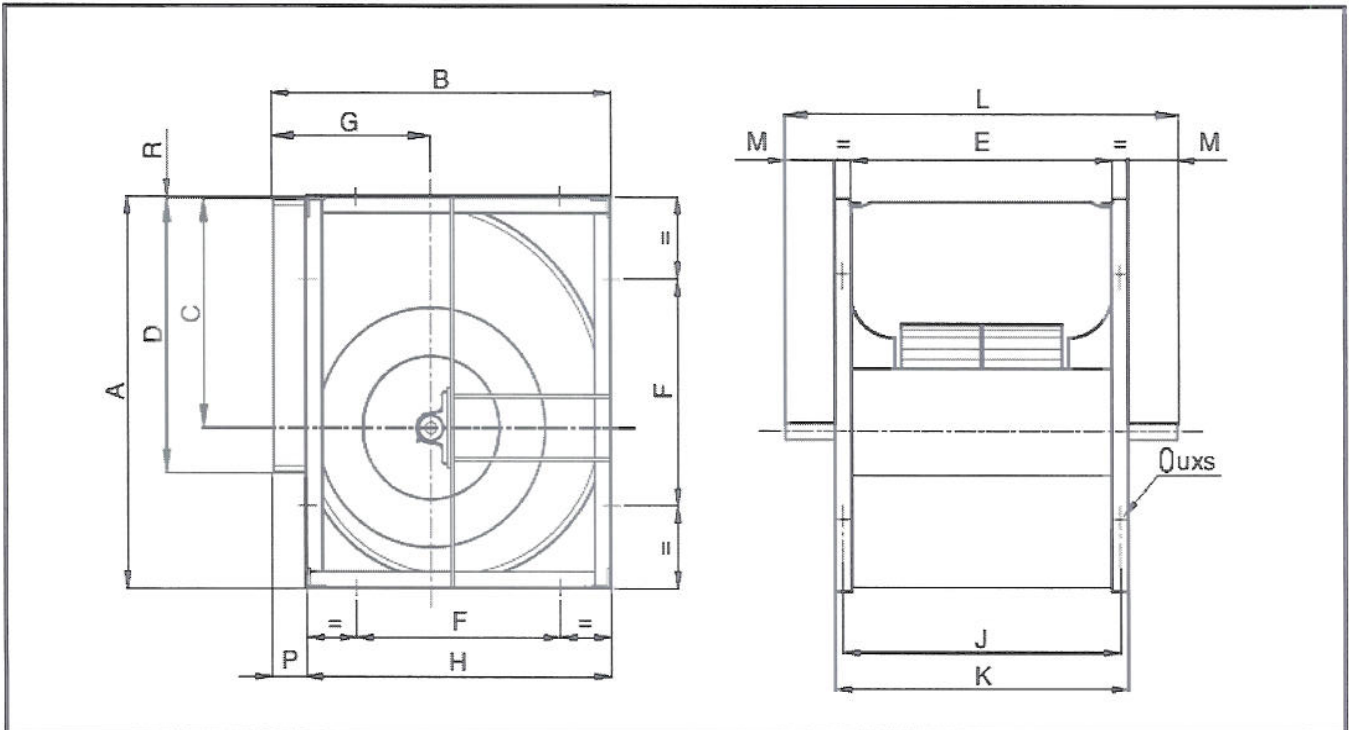
SUF	REV	MODEL	DESCRIPTION
53	01	250	FDA250TL-CL-II OF
54	01	280	FDA280TL-CL-II OF
55	01	315	FDA315TL-CL-II OF
56	01	355	FDA355TL-CL-II OF
57	01	400	FDA400TL-CL-II OF

ALL DIMENSIONS ARE IN mm (BRACKET DIMENSIONS ARE IN INCHES)				SHEET 1 of 2		SCALE : N.T.S	
Tolerance: : Unless noted (±) : fraction 1/32" ; Decimal 0.031				WRITER	AL-ALI. HUSAIN		
				INITIATOR	M. SHARIF		
				ENG. CHECK	M. SHARIF		
				VERIFIED	OTHMAN		
				APPROVED	SAMI BANAT		
01	SPECS. UPDATED AS PER REQUIRED	HUSIN	07-03-10	Issue Date	11-11-2009		
REV	Revision Details	Designer	Rev.Date	File Ref.	Ziicnas\Eng-Specs\800\10253-57		

Part No.	800- 102- SUF (53-57)
Ref. Code	302
U.O.M.	EA
Engg. Ref.	AP

Part Description : **BLOWER KIT ASSEMBLY ; FDA .. TL**

WWWW1-2



SUF	REV	MODEL	A	B	C	D	E	F	G	H	J	K	L	M	P	R	Ød		UXS
																	TL	TM	
53	0 1	250	460	418	270	322	322	224	194	383	347	372	538	83	35	4	25	25	11*16
54	0 1	280	518	466	302	360	360	280	214	432	390	420	588	84	34	5	30	30	13*18
55	0 1	315	578	518	340	404	404	330	236	480	434	464	632	84	38	3	30	30	13*18
56	0 1	355	654	578	383	452	452	368	260	548	492	532	718	93	30	6	35	35	13*18
57	0 1	400	736	650	432	506	506	402	290	612	546	586	772	93	38	5	35	35	13*18

QUALIFIED
09 MAR 2010
QA DATE

ALL DIMENSIONS ARE IN mm (BRACKET DIMENSIONS ARE IN INCHES)				SHEET 2 of 2		SCALE : N.T.S	
Tolerance: : Unless noted (±) : fraction 1/32" ; Decimal 0.031				WRITER	AL-ALI. HUSAIN		
				INITIATOR	M. SHARIF		
				ENG. CHECK	M. SHARIF		
				VERIFIED	OTHMAN		
				APPROVED	SAMI BANAT		
01	SPECS. UPDATED AS PER REQUIRED			HUSIN	07-03-10	Issue Date	11-11-2009
REV	Revision Details			Designer	Rev.Date	File Ref.	Ziicnas\Eng-Specs\800\10253-57