



**COMPONENT-MATERIAL
ENGINEERING SPECIFICATION**

Part No.	800- 102- SUF (00-13)
Ref. Code	302
U.O.M.	EA
Engg. Ref.	AP

Part Description : BLOWER KIT ASSEMBLY ; FDA .. SL

UUUU1-1

**APPROVED VENDOR: SOLER & PALAU
FDA160SL(CLI)/ FDA 710SL(CLI)**

TECHNICAL CHARACTERISTICS:

- SCROLL** : MANUFACTURED FROM HIGH QUALITY GALVANIZED STEEL SHEET.
- WHEEL** : FORWARD CURVED WHEEL ARE MANUFACTURED FROM GALVANISED STEEL. WHEELS ARE STATISTICALLY AND DYNAMICALLY BALANCED IN ACCORDANCE WITH ISO 1940/1,G2.5.
- BEARINGS** : BALL BEARING TYPE HERMATICALLY , SELF ALIGNING AND WITH ACCENTRIC RING FOR CLAMPING TO SHAFT
- SHAFTS** : SHAFTS ARE MANUFACTURED FROM HIGH QUALITY STEEL, KEY WAY AT BOTH ENDS AND AT IMPELLER LOCATION POINT.

BLOWER KIT TO BE COMPRISED AND ASSEMBLED OF THE FOLLOWING ITEMS

- 1-SCROLL
2-WHEEL
3-BEARINGS
4-CUT OFF
5-SHAFT
6-KEY
7-BLOWER/BEARING MOUNTING FRAME
8-OUTLET FLANGE WITH INTERMEDIATE HOLES SUFFIX
- A. INLET VANE CONTROL
 - B. INLET GUARD
 - C. SHAFT GUARD
 - D. INSPECTION DOOR
 - E. DRAIN PLUG
 - F. EXPLOSION PROOF DESIGN
 - G. EXTENDED GREASE LINES
 - H. FAN EPOXY COATED
 - I. SPECIAL DESIGN (SPECIFY

QUALIFIED
04 MAR 2010
QA DATE

SUF	REV	MODEL	DESCRIPTION
00	01	160	FDA160SL-CL-I OF
01	01	180	FDA180SL-CL-I OF
02	01	200	FDA200SL-CL-I OF
03	01	225	FDA225SL-CL-I OF
04	01	250	FDA250SL-CL-I OF
05	01	280	FDA280SL-CL-I OF
06	01	315	FDA315SL-CL-I OF
07	01	355	FDA355SL-CL-I OF
08	01	400	FDA400SL-CL-I OF
09	01	450	FDA450SL-CL-I OF
10	01	500	FDA500SL-CL-I OF
11	01	560	FDA560SL-CL-I OF
12	01	630	FDA630SL-CL-I OF
13	01	710	FDA710SL-CL-I OF

ALL DIMENSIONS ARE IN mm (BRACKET DIMENSIONS ARE IN INCHES) SHEET 1 of 2 SCALE : N.T.S

Tolerance: : Unless noted (±) : fraction 1/32" ; Decimal 0.031

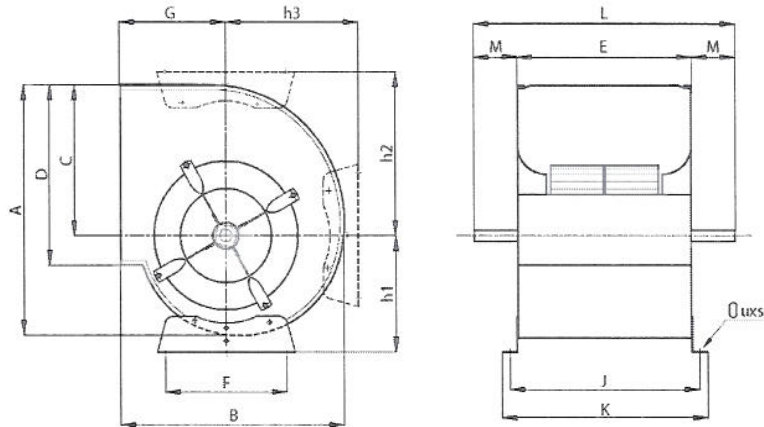
WRITER	AL-ALI. HUSAIN
INITIATOR	J.USAMNI/M.SHARIF
ENG. CHECK	OTHAMN
VERIFIED	ASIF PASHA
APPROVED	Moh'd Al Sayyed

01	SPECS. UPDATED AS PER REQUIRED	HUSAIN	07-03-10	Issue Date	07-02-2009
REV	Revision Details	Designer	Rev.Date	File Ref.	Ziicnas\Eng-Specs\800\10200-13

Part No.	800- 102- SUF (00-13)
Ref. Code	109
U.O.M.	EA
Engg. Ref.	AP

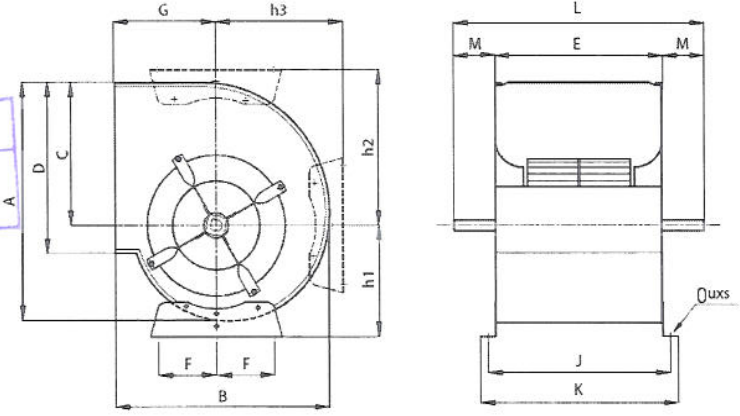
Part Description : BLOWER KIT ASSEMBLY ; FDA .. S

UUUU1-2



SUF	REV	MODEL	A	B	C	D	E	F	G	J	K	L	M	h1	h2	h3	Ød		UXS
																	CL	CM	
00	01	160	292	282	172	204	204	180	140	224	244	268	82	150	204	150	20	-	11*16
01	01	180	328	312	192	228	228	180	152	248	268	392	82	164	224	164	20	20	11*16
02	01	200	364	342	215	256	256	224	164	281	306	420	82	181	245	184	20	20	11*16
03	01	225	408	380	243	288	288	224	180	313	338	452	82	197	274	204	20	20	11*16
04	01	250	452	416	270	322	322	224	194	347	372	486	82	210	299	227	20	20	11*16
05	01	280	508	464	302	360	360	280	214	390	420	556	98	236	331	255	25	25	11*16
06	01	315	572	516	340	404	404	280	236	434	464	600	98	261	370	283	25	25	11*16
07	01	355	644	576	383	452	452	315	260	492	532	672	110	274	411	320	30	30	11*16
08	01	400	724	644	432	506	506	355	290	546	586	726	110	302	462	359	30	30	11*16

QUALIFIED
09 MAR 2011
QA DATE



SUF	REV	MODEL	A	B	C	D	E	F	G	J	K	L	M	h1	h2	h3	Ød		UXS
																	CL	CM	
09	01	450	816	722	486	568	568	200	322	608	648	814	123	336	518	407	35	35	13*18
10	01	500	906	794	538	638	638	225	352	678	718	924	143	375	568	448	35	35	13*18
11	01	560	1016	886	603	714	714	250	390	764	814	1000	143	416	634	502	40	40	13*18
12	01	630	1142	992	679	800	800	280	434	850	900	1092	146	468	707	571	40	45	13*18
13	01	710	1286	1114	765	898	898	315	484	948	998	1234	168	531	797	636	50	50	13*18

ALL DIMENSIONS ARE IN mm (BRACKET DIMENSIONS ARE IN INCHES)				SHEET 2 of 2		SCALE : N.T.S	
Tolerance: : Unless noted (±) : fraction 1/32" ; Decimal 0.031				WRITER	AL-ALI. HUSAIN		
				INITIATOR	J.USAMNI/M.SHARIF		
				ENG. CHECK	OTHMAN		
				VERIFIED	ASIF PASHA		
				APPROVED	Moh'd Al Sayyed		
01	SPECS. UPDATED AS PER REQUIRED			HUSAIN	07-03-10	Issue Date	07-02-2009
REV	Revision Details			Designer	Rev.Date	File Ref.	Ziicnas\Eng-Specs\800\10200-13