



Thermolec is about Service

Our Mission?

To give the customer what they want when they need it.

We have been the supplier of choice for contractors and OEM's since 1973 because of a level of service never before seen in the industry

We design and manufacture electrical heating equipment, SCR's, controls and residential humidifiers.

Our products have been shipped throughout the world from our two manufacturing plants where ongoing employee training and quality programs ensure the highest level of customer satisfaction.

The most recent products developed in our R&D center, are the THERMO-X AIR make up air unit and our patented AIR FLOW SENSOR technology, which is used in a variety of products.

Continuing research, coupled with our skilled and experienced design engineers, help to make our product trouble-free

Open Coil Heaters

Thermolec electric duct heaters are designed for use in all forced air commercial and industrial HVAC systems. Their applications vary from a partial or auxiliary nature to being the major or principal heat source in a building.





Thermolec electric duct heaters are custom computer designed to the most stringent CSA standard to assure total safety.

Thermolec electric duct heaters are available in any size from 6" x 6" up to 144" x 96" and up to 1000 KW in one section. Single heater units are rated to produce up to 22.5 KW per square foot of duct area. Multiple heaters can be made and field installed together to accommodate large duct sizes or KW's. All voltages to 600-volt single and three phases are available.

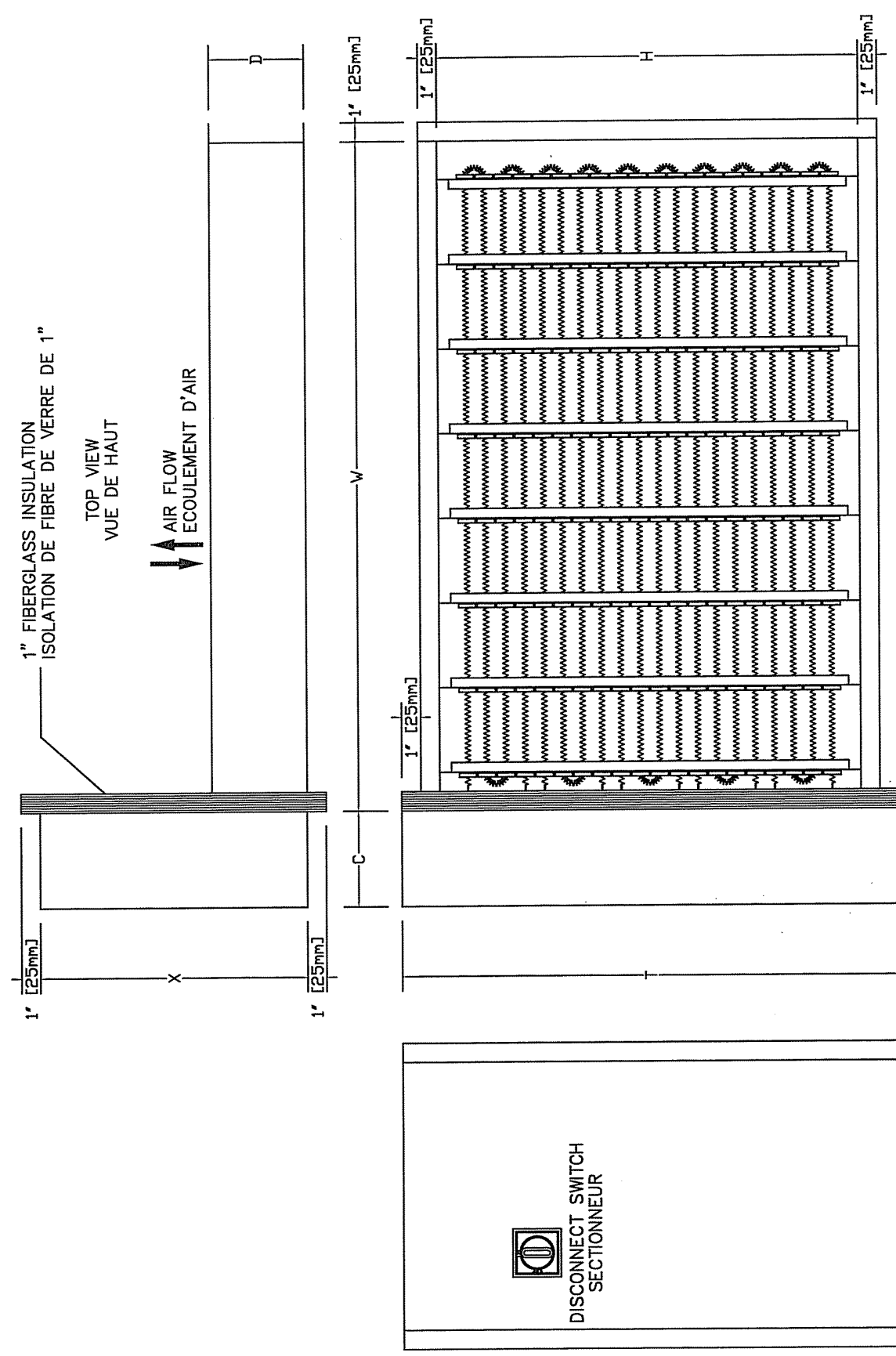
All Thermolec electric duct heaters are equipped with the necessary automatic reset disc cut-outs. All heaters of 30 KW and less and not in excess of 300 volts are also equipped with a manual reset disc cut-out. Thermolec heaters can be equipped with a variety of control options to accommodate any control system from basic electric, electronic or pneumatic to the most sophisticated DDC control (Direct Digital Control).


The controls are enclosed in a NEMA 1 control panel and a detailed wiring diagram is affixed to the control panel door for easy reference during installation and service.

Thermolec electric duct heaters are built with components that have been selected according to a very demanding set of criteria to guarantee a reliable and durable operation.

Tubular Element Heaters

Thermolec also manufactures heaters with tubular elements for applications which involve personnel safety or critical conditions in the duct (high humidity level, combustible dust or corrosive atmosphere) and durable operation.




DISCONNECT SWITCH
SECTIONNEUR

TITLE/TITRE
TYPICAL FLANGED TYPE HEATER
SERPENTIN A BRIDES TYPIQUE

 **THERMOLEC**
MONTREAL - CANADA

LTEE LTD
DRAWING NO. MFCO-10LS-C002-0000
DATE PER

VV1-4

LEGENDE

A Sonde Thermique à Réenclenchement Automatique
 C1,C2 Contacteur de Contrôle
 CM Contacteur Secondaire
 DISC Sectionneur
 D35 Contrôleur Electronique
 F Fusible
 M Sonde Thermique à Réenclenchement Manuel
 PDS Interrupteur a Pression Differentielle
 R Relais
 SSR Relais Electronique
 T Transformateur

LEGEND

A Automatic Reset Cut Out
 C1,C2 Operating Contactors
 CM Back-up Contactor to Manual
 DISC Disconnect Switch
 D35 Solid State Controller
 F Fuse Or Fuse Link
 M Manual Reset Cut Out
 PDS Pressure Differential Switch
 R Relay
 SSR Solid State Relay
 T Control Circuit Transformer

IMPORTANT

Enlever le pont entre les bornes I & C Le Serpentin Electrique Thermolec est avant de connecter l'entrebarrage. représenté par un cadre en gros traits. Suivre les codes électriques nationaux Tout ce qui est en dehors du cadre est un "filage typique externe fait par d'autres." et locaux ainsi que les instructions contenues dans l'appareil.

IMPORTANT

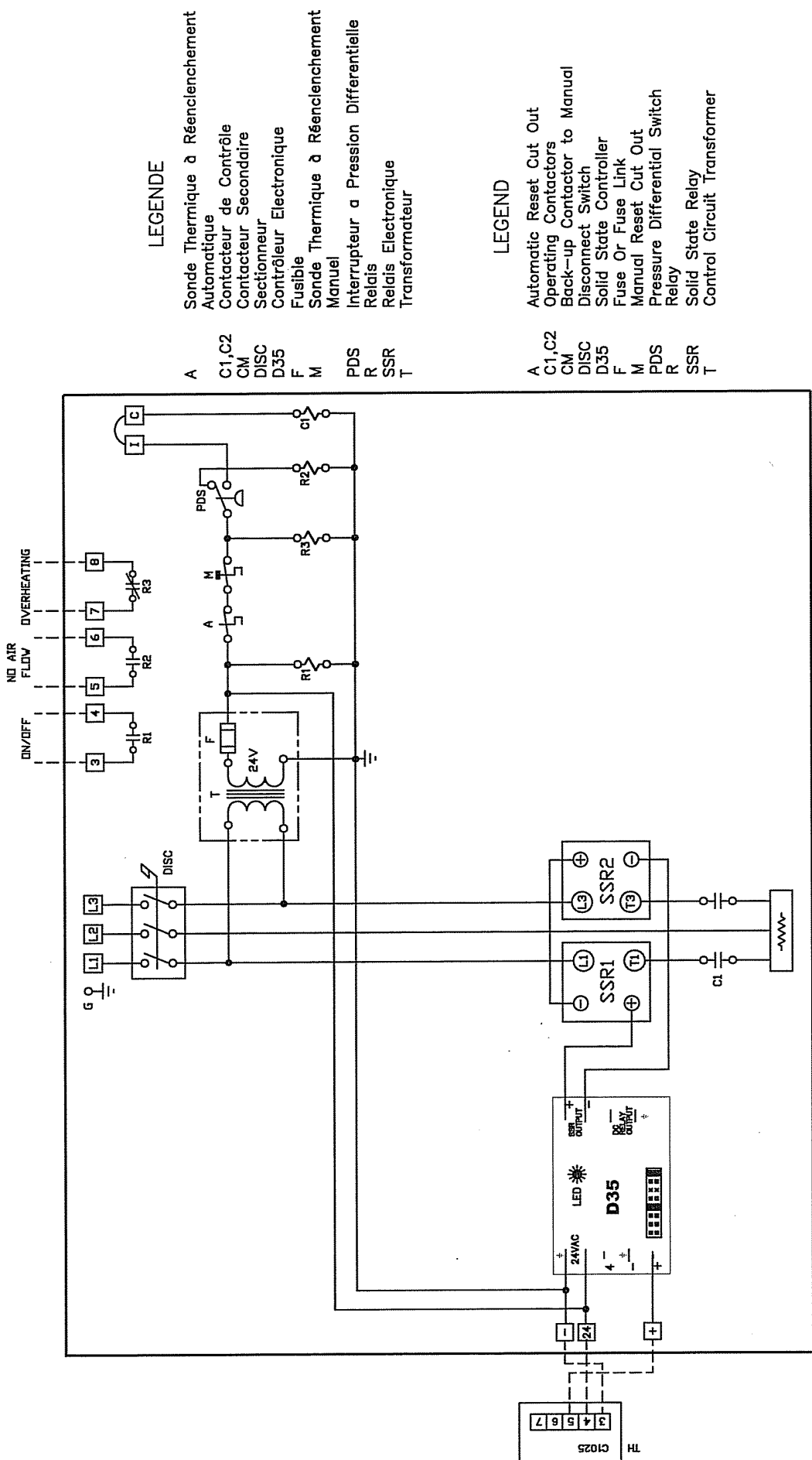
Remove jumper between terminal I & C before connecting interlocks. Wire in accordance with local & National Electrical codes. Read instructions carefully before wiring and operating.

Frame shown in heavy line represents Thermolec Electric Coil. All wiring outside this frame are "typical external wiring by others".

Title / Titre

Drawing number / Numéro de dessin

3B12 - 7141 - M200 - GETC



LEGENDE

- A Sonde Thermique à Réenclenchement Automatique
- C1,C2 Contacteur de Contrôle
- CM Contacteur Secondaire
- DISC Sectionneur
- D35 Contrôleur Electronique
- F Fusible
- M Sonde Thermique à Réenclenchement Manuel
- PDS Interrupteur a Pression Differentielle
- R Relais
- SSR Relais Electronique
- T Transformateur

LEGEND

- A Automatic Reset Cut Out
- C1,C2 Operating Contactors
- CM Back-up Contactor to Manual
- DISC Disconnect Switch
- D35 Solid State Controller
- F Fuse Or Fuse Link
- M Manual Reset Cut Out
- PDS Pressure Differential Switch
- R Relay
- SSR Solid State Relay
- T Control Circuit Transformer

IMPORTANT

Enlever le pont entre les bornes I & C Le Serpentin Electrique Thermolec est avant de connecter l'entrebarriage. representé par un cadre en gros traits. Suivre les codes électriques nationaux Tout ce qui est en dehors du cadre est un et locaux ainsi que les instructions "filage typique externe fait par d'autres." contenues dans l'appareil.

IMPORTANT

Remove jumper between terminal I & C before connecting interlocks. Wire in accordance with local & National Electrical codes. Read instructions carefully before wiring and operating.

Frame shown in heavy line represents Thermolec Electric Coil. All wiring outside this frame are "typical external wiring by others".

Drawing number / Numéro de dessin

3B11 - 7121 - M000 - GETC

Title / Titre

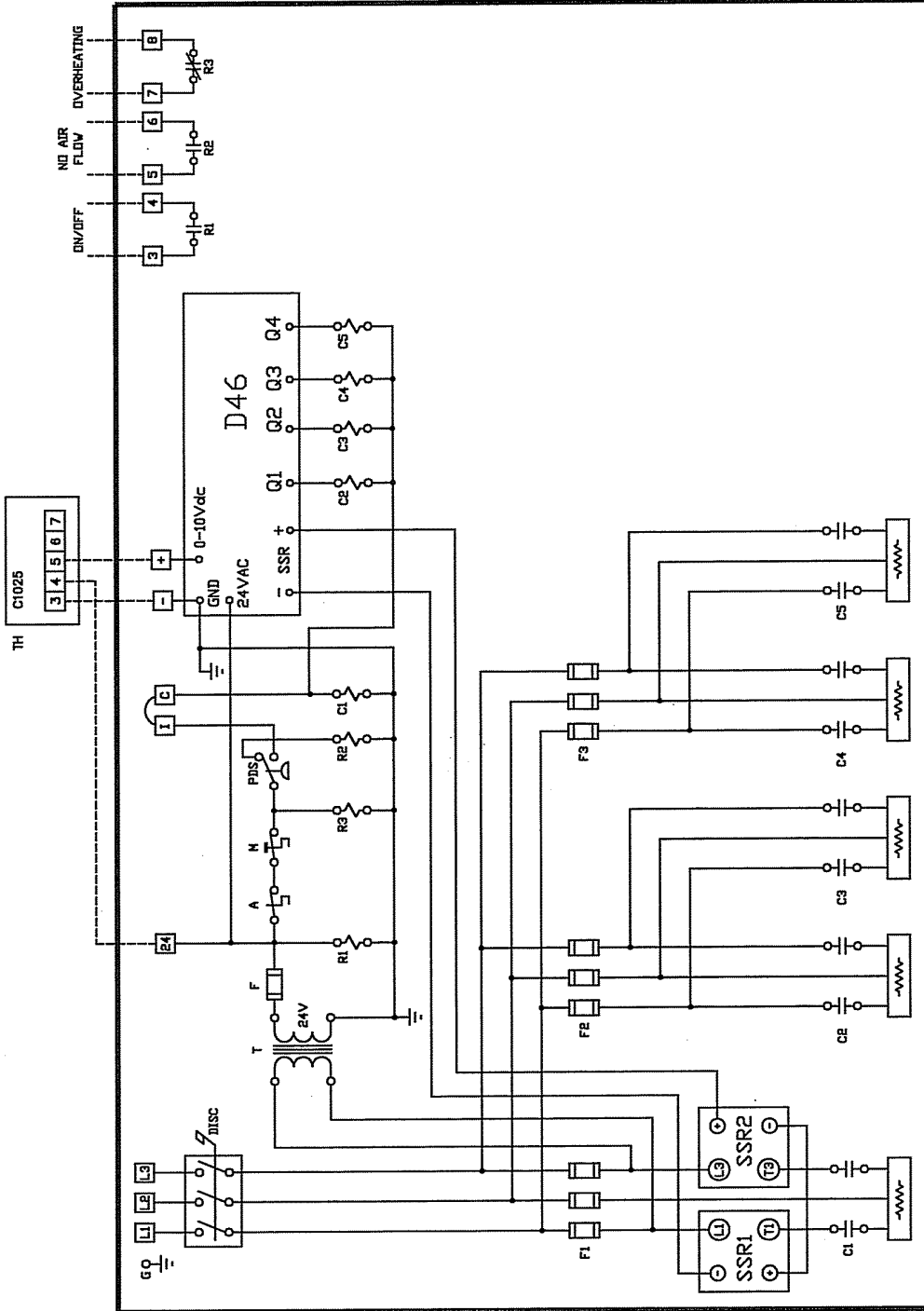


LEGENDE

- A Sonde Thermique a Reencienchement Automatique
- C1,C2 Contacteur de Controle
- CM Contacteur Secondaire
- DISC Sectionneur
- D46 Controleur a Electronique
- F Fusible
- M Sonde Thermique a Reencienchement Manuel
- OL Relais de Surcharge
- PDS Interrupteur a Pression Differentielle
- PES Interrupteur Pneumatique-Electrique
- PL Lampe Ternoin
- R Relais
- SSR Relais Electronique
- T Transformateur
- THR Thermostat
- TH Relais Thermique
- DT Thermostat de Gaine
- RT Thermostat de Piece

LEGEND

- A Automatic Reset Cut Out
- C1,C2 Operating Contactors
- CM Back-up Contactor to Manual
- DISC Disconnect Switch
- D46 Electronic Step Controller
- F Fuse
- M Manual Reset Cut Out
- OL Overload Relay
- PDS Pressure Differential Switch
- PES Pressure Electric Switch
- PL Pilot Light
- R Relay
- SSR Solid State Relay
- T Control Circuit Transformer
- THR Thermostat
- TH Thermal Relay
- DT Duct Thermostat
- RT Room Thermostat



IMPORTANT

Enlever le pont entre les bornes I & C avant de connecter l'entrebarrage. Suivre les codes électriques nationaux et locaux ainsi que les instructions contenues dans l'appareil.

IMPORTANT

Remove jumper between terminal I & C before connecting interlocks. Wire in accordance with local & Canadian Electrical codes. Read instructions carefully before wiring and operating.

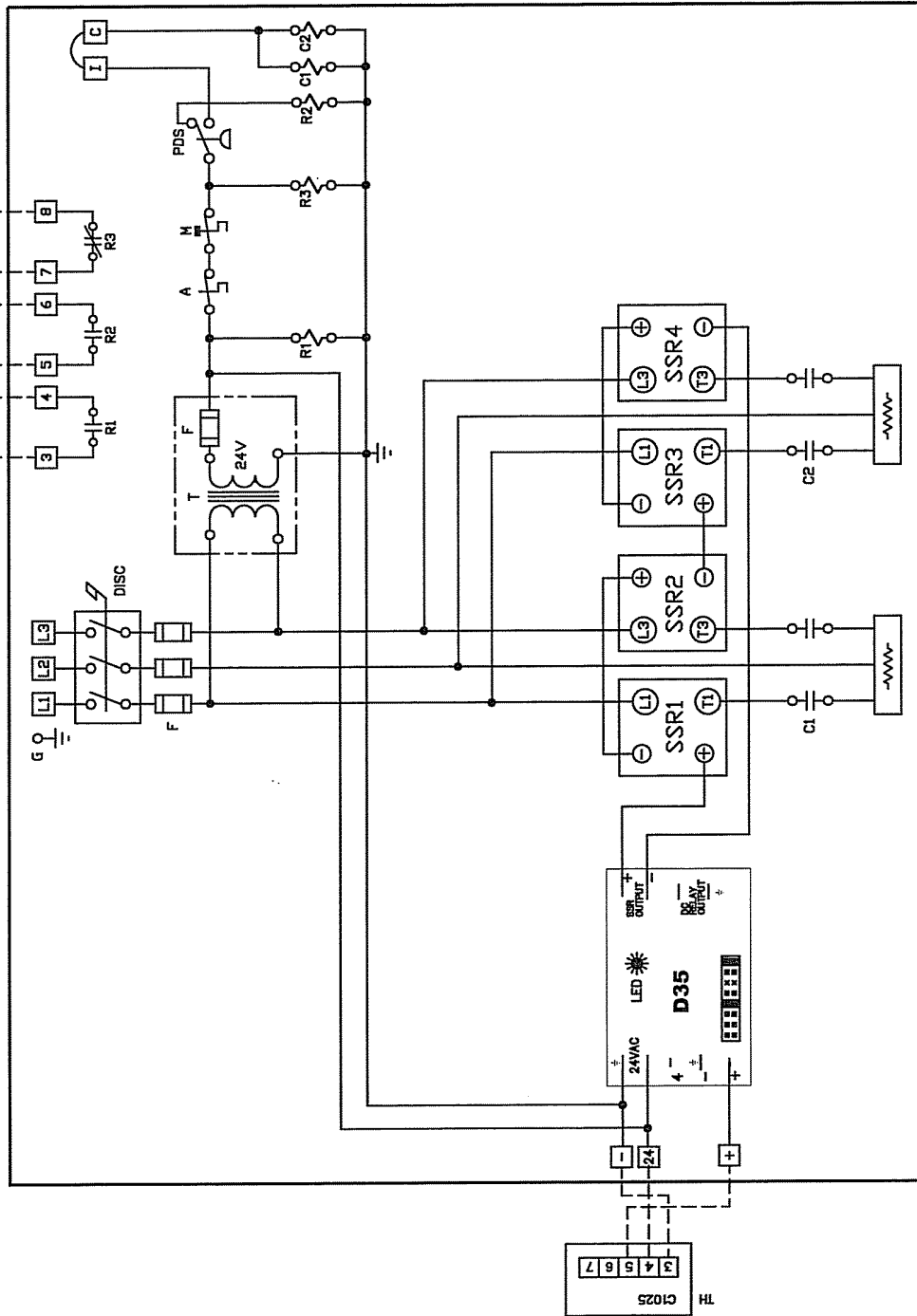
TITRE/TITRE

LTEE
LTD

THERMOLEC
MONTREAL - CANADA

DRAWING NO. 3B55-7M21-M300-GE1C

DATE PER



LEGENDE

- A Sonde Thermique à Réenclenchement Automatique
- C1,C2 Contacteur de Contrôle
- CM Contacteur Secondaire
- DISC Sectionneur
- D35 Contrôleur Electronique
- F Fusible
- M Sonde Thermique à Réenclenchement Manuel
- PDS Interrupteur a Pression Differentielle
- R Relais
- SSR Relais Electronique
- T Transformateur

LEGEND

- A Automatic Reset Cut Out
- C1,C2 Operating Contactors
- CM Back-up Contactor to Manual
- DISC Disconnect Switch
- D35 Solid State Controller
- F Fuse Or Fuse Link
- M Manual Reset Cut Out
- PDS Pressure Differential Switch
- R Relay
- SSR Solid State Relay
- T Control Circuit Transformer

IMPORTANT

Enlever le pont entre les bornes I & C Le Serpentin Electrique Thermolec est representé par un cadre en gros traits. Suivre les codes électriques nationaux et locaux ainsi que les instructions contenues dans l'appareil.

IMPORTANT

Remove jumper in heavy line represents Thermolec Electric Coils. All wiring outside this frame are "typical external wiring by others".

Drawing number / Numéro de dessin

3B12 - 7141 - M100 - GETC

Title / Titre

