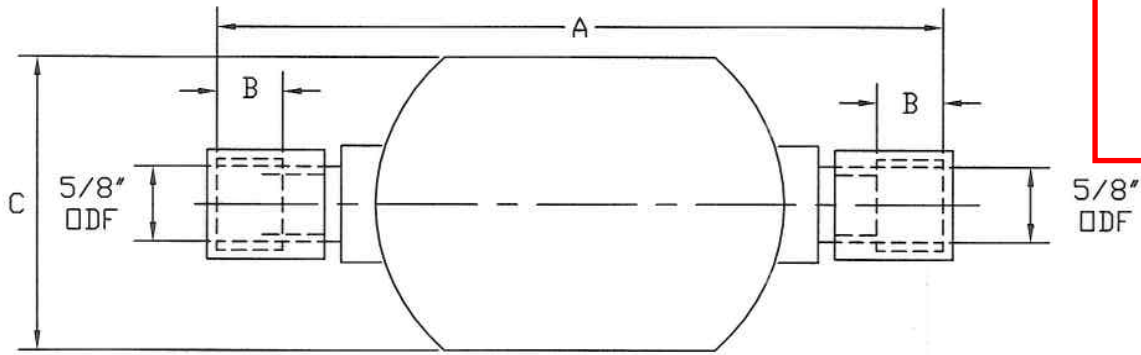


Part Description : FILTER DRIER 5/8" ODF SOLDER : R-22



**NOTE : INLET & OUTLET OPENING WITH INSERT PLASTIC CAPS.**

VENDOR	VENDOR MODEL	VOLUME OF DESICCANT	SURFACE FILTERING AREA	WATER CAPACITY		DIM.-INCH		
				DROPS@60PPM		"A"	"B"	"C"
				75°F	125°F			
SPORLAN	C-165-S	16 CUBIC INCH	33.00 SQ.INCH	144	120	6.31	0.62	3.00
MUELLER BRASS	SD-165	16 CUBIC INCH	36.25 SQ.INCH	159	120	**	**	3.00
<b>PARKER</b>	<b>SS-165-S</b>	<b>16 CUBIC INCH</b>	34.00 SQ.INCH	190	176	**	**	3.00
<b>ALCO</b>	<b>EK165-S</b>	<b>16 CUBIC INCH</b>	**	178	158	6.37	0.62	2.87
<b>DANFOSS</b>	<b>DCL-165S</b>	<b>16 CUBIC INCH</b>	**	**	**	7.2	**	3.00

- REFRIGERANT : HCFC & HFC (R-22 / R-407c / R-134a)
- DESICCANT : ACTIVATED ALUMINA CORE WITH MOLECULAR SIEVE or EQUIVALENT, SUITABLE FOR USE WITH R-22/ R-407c / R-134a
- FILTER : CAPABLE OF RETAINING DESICCANT & INLET FILTERING TO 10 MICRONS
- BURST PRESSURE : 2500 PSI
- MATERIAL : HERMETIC STEEL SHELL.
- FINISH : CORROSION RESISTANT PAINT ON SHELL.
- MARKINGS : DIRECTION OF FLOW TO BE INDICATED.  
ZAC P/N & VENDOR MODEL No. TO BE MARKED.
- APPROVAL : U.L. COMPONENT LISTED.
- CAPACITY RATING : 18.7 TONS (STD. ARI CONDITION @ 2 PSI DROP)

**: INFORMATION TO BE PROVIDED BY VENDOR				SHEET 1 OF 1		SCALE : N.T.S.	
ALL DIMENSIONS ARE IN INCHES				WRITER	AL-ALI. HUSAIN		
Tolerance: Unless noted(±):Fraction: 1/32; Decimal: 0.031"				INITIATOR	M.SIRAJUDDIN		
04	ADDED NEW REFREGARANT R-407c & R-134a	HUSAIN	25-06-06	CHECK	ASIF PASHA		
03	ADDED NEW VENDOR-DANFOSS	HUSAIN	14-12-03	VERIFIED	Moh'd Al Sayyed		
02	REVISED SPEC. AS PER VENDOR INFORMATION	SHUJAT	12-06-03	APPROVAL	A.MATHEW		
01	VENDOR PARKER # WAS 165-S			Issue Date	12-11-1981		
Rev#	Revision Details	Designer	Rev.Date	File Ref.	Zacsv2\Eng-specs\800\53105		