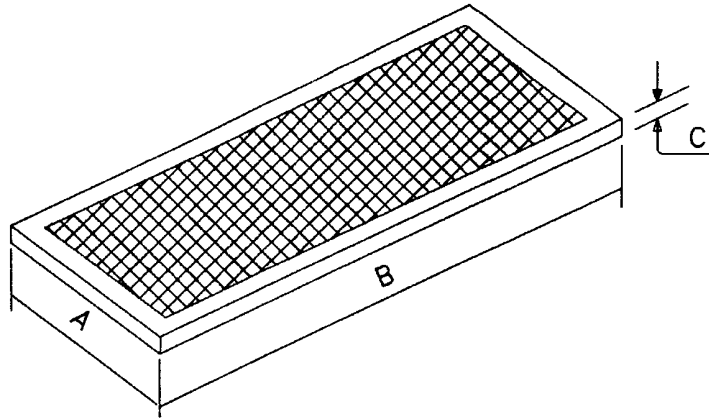




**ENGINEERING  
SPECIFICATION**

Part No.	801-041-SUF (30-32)
Ref. Code	306
U.O.M.	EA
Engg. Ref.	SEE TABLE

**Part Description : ALUMINUM FILTER - SIZE 2" THICKNESS**



X1-1

**VENDOR : DAFF/ EXCEL**

**FRAME : ALUMINUM**

**MEDIA : EXPANDED ALUMINUM FOILS CORRAGATED FOR DEPTH**

SUF No	REV No	Nominal Width "A" (In)	Nominal Height "B" (In)	Nominal Thickness "C" (In)	Actual Width "A" (In)	Actual Height "B" (In)	Actual Thickness "C" (In)	Actual Width "A" (mm)	Actual Height "B" (mm)	Actual Thickness "C" (mm)	ENGG. REF
30	01	24	12	2	23.5	11.5	1.875	597	292	47.5	PY240/300/340/360& KW SERIES
31	01	24	20	2	23.5	19.5	1.875	597	495	47.5	BY14/18/25& KW SERIES
32	01	24	24	2	23.5	23.5	1.875	597	597	47.5	BY25,PY180/210/240/300/340/360& KW SERIES

<b>Tolerance: : Unless noted (±) : fraction 1/32" ; Decimal 0.8mm</b>				<b>SHEET 1 of 1</b>		<b>SCALE : N.T.S</b>	
				WRITER	AL-ALI HUSAIN		
				INITIATOR	ANWAR		
				CHECK	M. ABUDAYYA		
				VERIFIED	Mod. ALSAYYED		
				APPROVAL	MATHEW		
01	ADDED NOMINAL SIZE DIM.			HUSAIN	29-05-05	Issue Date	30-03-2000
Rev #	Revision Details			Designer	Rev.Date	File Ref.	Ziiceip001\Eng-Specs\801\ 04130-32