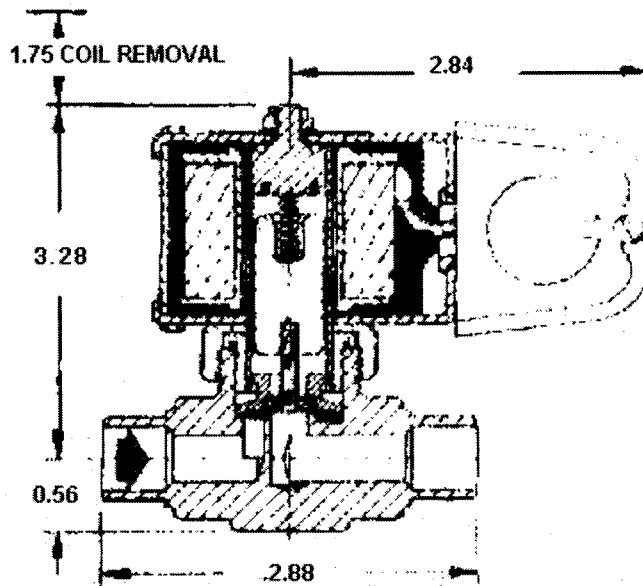


**COMPONENT-MATERIAL
ENGINEERING SPECIFICATION**

Part No.	800-705-20	REV 05
Ref. Code	408	
U.O.M.	EA	
Engg. Ref.	CH	

Part Description : SOLENOID VALVE 5/8" ODF



WW1-1

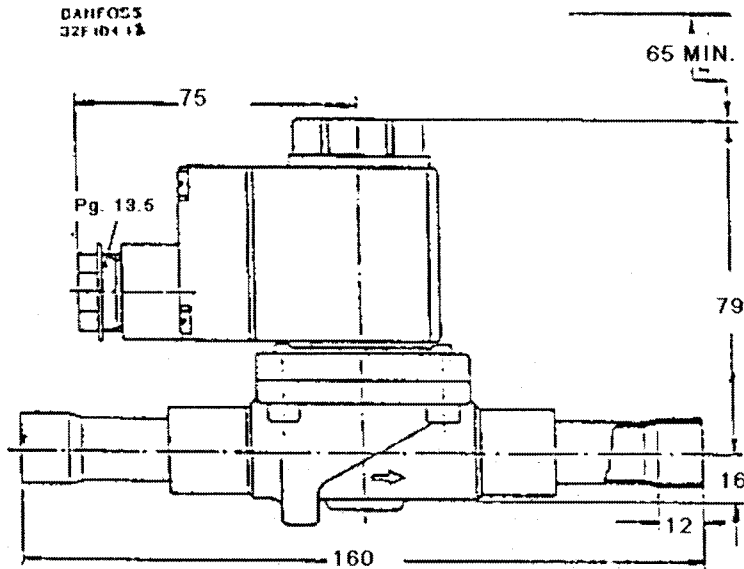
TYPE B14S2

VENDOR	: SPORLAN
VENDOR MODEL No	: B14S2-MKC2 NORMALLY CLOSED
CONNECTION SIZE	: 5/8" ODF SOLDER x 5/8 ODF SOLDER
PORT SIZE	: 7/16"
MOPD [PSI]	: 300 FOR AC 250 FOR DC
NOMINAL LIQUID	: 15 TONS [FOR 3PSI DROP] 17.8 TONS [FOR 4PSI DROP]
COIL SPECIFICATION	
VOLTS	: 208/ 240V. 31VA HOLDING
FREQ.	: 50/60Hz 79VA INRUSH
WATTS	: 15

ALL DIMENSIONS ARE IN mm (BRACKET DIMENSIONS ARE IN INCHES)				SHEET 1 of 2		SCALE : N.T.S	
Tolerance: : Unless noted (±) : fraction 1/32" ; Decimal 0.031				WRITER	AL-ALI. HUSAIN		
				INITIATOR	YOUSEF		
				ENG. CHECK	M.KHAWALDEH		
05	DANFOSS SPECS. UPDATED AS PER REQUIRED	HUSAIN	17-04-06	VERIFIED	Moh'd Al Sayyed		
04	VOLTAGE WAS 220V, WATTS WAS 10 COIL VOLTS WAS 198-253V			APPROVED	FAWAZ AL-BITAR		
				Issue Date	09-02-1985		
REV	Revision Details	Designer	Rev.Date	File Ref.	Ziicnas\Eng-Specs\800\70520		

Part No.	800-705-20	REV
Ref. Code	408	05
U.O.M.	EA	
Engg. Ref.	CH	

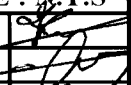

Part Description : SOLENOID VALVE 5/8" ODF



WW1-2

VENDOR	: DANFOSS
CODE No	: 032F1214 + 018F6732
NOMINAL LIQUID CAPACITY	: 15.4 TON
TYPE	: EVR10 NORMALLY CLOSED
REFRIGERANT	: R-12, R-22, R502
CONNECTIONS	: 5/8" . ODF SOLDER x 5/8" ODF SOLDER
MAX. WORKING PRESSURE /PB	: 35 BAR
KV-VALUE	: 1.9m ³ /H
MAX. MEDIA TEMPERATURE	: +105°C
MIN. MEDIA TEMPERATURE	: -40°C
MAX. OPENING DIFF. PRESSURE	: 21 BAR
MIN. OPENING DIFF. PRESSURE	: 0.05 BAR
AMBIENT TEMPERATURE	: -40, +80°C
VOLTAGE	: 220-230V
FREQUENCY	: 50/60 Hz
POWER	: 10 W
ENCLOSURE	: IP 67
THE COIL WILL BE DELIVERED WITH A TERMINAL BOX	

**COIL SPECIFICATION ; 220-230V , 50/60 Hz 10WATTS ; 21VA HOLDING;
44VA INRUSH**

ALL DIMENSIONS ARE IN mm (BRACKET DIMENSIONS ARE IN INCHES)				SHEET 2 of 2		SCALE : N.T.S	
Tolerance: : Unless noted (±) : fraction 1/32" ; Decimal 0.031				WRITER	AL-ALI. HUSAIN		
				INITIATOR	YOUSEF		
				ENG. CHECK	M.KHAWALDEH		
05	DANFOSS SPECS. UPDATED AS PER REQUIRED		HUSAIN	17-04-06	VERIFIED	Moh'd Al Sayyed	
04	VOLTAGE WAS 220V, WATTS WAS 10 COIL VOLTS WAS 198-253V				APPROVED	FAWAZ AL-BITAR	
REV	Revision Details		Designer	Rev.Date	Issue Date	09-02-1985	
					File Ref.	Ziicnas\Eng-Specs\800\70520	