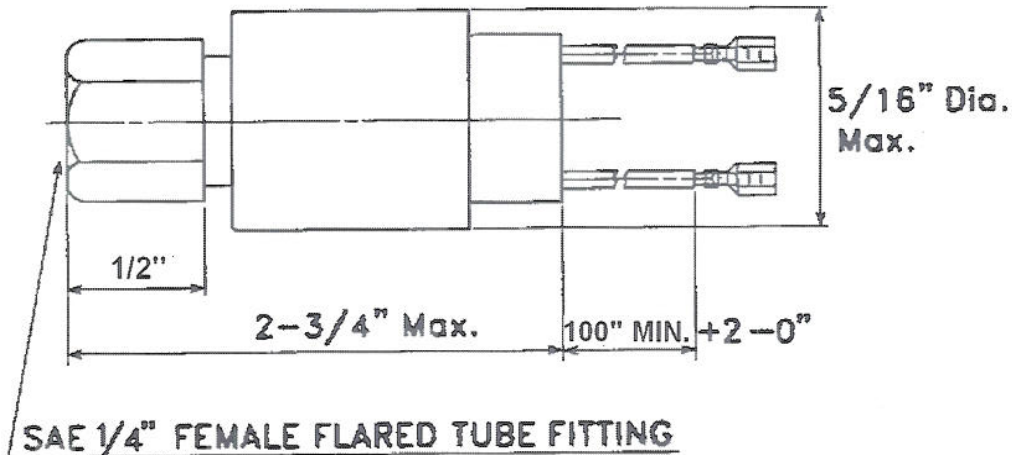


Part No.	800-557-02	REV.	01
Ref. Code	407		
U.O.M.	EA		
Engg. Ref.	UC/UP/AC/AP		

Part Description : LOW PRESSURE CONTROL – NON ADJUSTABLE- 10PSIG (R-134a)

QQ1-1



VENDOR & P/N : CHANG HENG ; YK-03L 098-010E030E

SETTING : OPEN 10PSIG (+,-) 5PSIG; CLOSE 30 PSIG (+,-)5 PSIG

MOUNTING : 1/4 SAE FEMALE FLARE TUBE FITTING

TORQUE SPECIFICATION : 180Inch Lbs (+,-) 12Inch. Lbs

**LEADS : #18AWG STD. WIRE WITH 4/64" PVC, 600 VOLT INSULATION 105°C,
LEAD TO BE 100" LONG (+2",-0"), STRIPPED & FREE END TO BE FIXED
WITH 1/4" Q.C. TERMINALS**

LEADS COLOR : YELLOW

ELECTRICAL RATING : REFER SHEET 2 OF 3

NOTE:

1. PRESSURE CONTROL CANTACTS TO BE WATER PROOF
2. PART MUST BE MARKED WITH CUT-OUT & CUT-IN PRESSURES
3. PRESSURE CONTROL TO BE UL LISTED



ALL DIMENSION ARE IN INCHES				SHEET 1 of 3		SCALE : N.T.S	
Tolerance: : Unless noted (±) : fraction 1/32" ; Decimal 0.031				WRITER	AL-ALI. HUSAIN		
				INTIATOR	MURAD		
				CHECK	MURAD/ FASI		
				VERIFIED	M.SIRAJUDDIN		
				APPROVAL	MATHEW		
01	ADDED NEW VENDOR (HARTLAND)	HUSAIN	16-06-09	Issue Date	30-06-2007		
REV#	Revision Details	Designer	Rev.Date	File Ref.	Ziencas\Eng-Specs\800\55702		

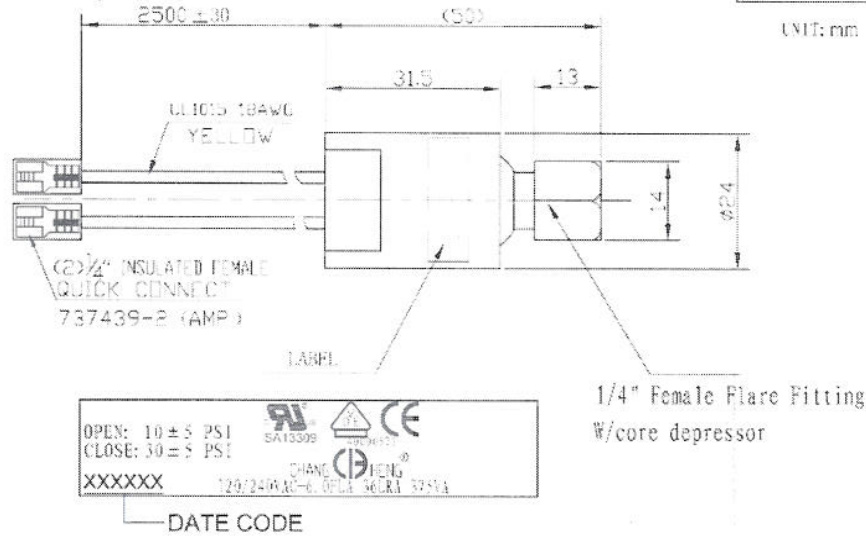
Part No.	800-557-02	REV.	01
Ref. Code	407		
U.O.M.	EA		
Engg. Ref.	UC/UP/AC/AP		

Part Description : LOW PRESSURE CONTROL – NON ADJUSTABLE- 10PSIG (R-134a)

RoHS Compliant

REVISION: 01

QQ1-2



TECHNICAL SPECIFICATIONS

ACTUATION/OPEN PRESSURE	10+/-5 PSI
RELEASE/CLOSE PRESSURE	30+/-5 PSI
PROOF PRESSURE	250 PSI
BURST PRESSURE	5000 PSI
TEMPERATURE RANGE	Ambient: -30°C to +80°C Fluid: -50°C to +120°C
ELECTRICAL RATING	120/240VAC-6.0PLA 36LRA 375VA 120/240VAC-375VA 24VAC-125VA 28VAC-2AMP
LIFE AT RATED LOAD	100,000 Cycles
DIELECTRIC STRENGTH	750 VRMS open switch 1550 VRMS terminals to fitting
SWITCH CONFIGURATION	SPST.at atmospheric pressure:OPEN



CUSTOMER NAME:

CUSTOMER P/N:

DRAWING DATE: June 26th, 2007

CHANGHENG P/N:YK-03L 098-010E030E



ALL DIMENSION ARE IN mm				SHEET 2 of 3		SCALE : N.T.S	
Tolerance: : Unless noted (±) : fraction 1/32" ; Decimal 0.031				WRITER	AL-ALI. HUSAIN		
				INTIATOR	MURAD		
				CHECK	MURAD/ FASI		
				VERIFIED	M.SIRAJUDDIN		
				APPROVAL	MATHEW		
01	ADDED NEW VENDOR (HARTLAND)	HUSAIN	16-06-09	Issue Date	30-06-2007		
REV#	Revision Details	Designer	Rev.Date	File Ref.	Ziicnas\Eng-Specs\800\55702		

Part No.	800-557-02	REV.	01
Ref. Code	407		
U.O.M.	EA		
Engg. Ref.	UC/UP/AC/AP		

Part Description : LOW PRESSURE CONTROL – NON ADJUSTABLE- 10PSIG (R-134a)

QQ1-3

Label:
 Part: HC
 10 PSI ON 30 PSI OFF
 7/16" - 20UNF. 2B
 CE

Technical Parameters	
Operation Characters	ON (psig) 30 ± 5 OFF (psig) 10 ± 5
Electrical Ratings	120/240VAC, 375VA
	120VAC, 5.8FLA-34, 8LRA
	240VAC, 2.9FLA-15LRA
Contactor Style	28VAC/DC, 2A Pressure Rises
Contact Resistance	≤ 20mΩ (Except Load Wire)
Insulation Resistance	DC500V Not Less Than 100MΩ
Insulation Strength	Endure AC1500V × 1min
Maximum Operating Pressure	500 psig
Leakage Testing Pressure	500 psig
Burst Pressure	5000 psig
Ambient Temperature	-35°C ~ 65°C
Medium Temperature	-35°C ~ 65°C
Life Cycles	100,000 Cycles
	UL B257030, B200318

Appearance Drawing 800-557-02

Approved by: [Signature] Date: []/ []/ []
 Checked by: [Signature] Date: []/ []/ []
 Drawn by: [Signature] Date: []/ []/ []

QUALIFIED
 DATE 17/6/09
 QA

ALL DIMENSION ARE IN mm		SHEET 3 of 3		SCALE : N.T.S	
Tolerance: : Unless noted (±) : fraction 1/32" ; Decimal 0.031		WRITER	AL-ALL. HUSAIN		
		INTIATOR	MURAD		
		CHECK	MURAD/ FASI		
		VERIFIED	M.SIRAJUDDIN		
		APPROVAL	MATHEW		
01	ADDED NEW VENDOR (HARTLAND)	HUSAIN	16-06-09	Issue Date	30-06-2007
REV#	Revision Details	Designer	Rev.Date	File Ref.	Z:\icnas\Eng-Specs\800\55702