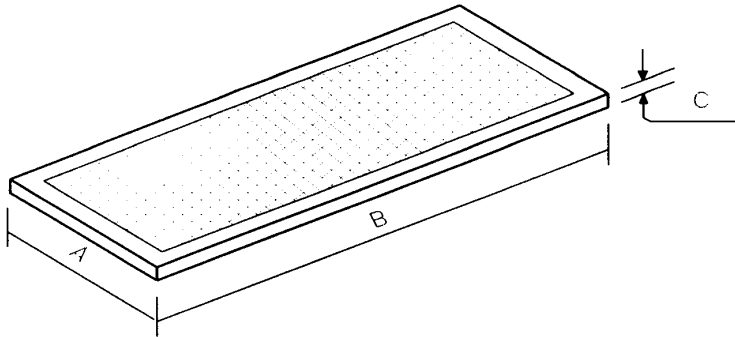




ENGINEERING SPECIFICATION

Part No.	800-249-SUF (35-87)
Ref. Code	306
U.O.M.	EA
Engg. Ref.	SEE TABLE

Part Description : FILTER ALUMINUM – SIZE 1/ 2" &1" THICK.



NNN1-1

VENDOR : DAFF/ EXCEL/ EZ KLEEN / AIRGUARD
FRAME : ALUMINUM
MEDIA : EXPANDED ALUMINUM FOILS CORRAGATED FOR DEPTH

SUF. NO.	REV. NO	NORMAL SIZE –INCHES			ACTUAL SIZE - INCHES			ENGG. REF.
		WIDTH	LENGTH	DEPTH	A	B	C	
35	01	28	30-1/2	1"	27-1/2	30	7/8	BX-25
36	03	11-3/8	23-1/16	1/2"	10-7/8	22-11/16	7/16	DY-60
37	01	24	30-3/4	1"	23-1/2	30	7/8	BX-14
38	03	10	18-15/16	1/2"	9-1/2	18-7/16	7/16	DY-36
39	03	7-7/8	16-15/16	1/2"	7-3/8	16-7/16	7/16	DY-24
40	01	31	21	1"	30-7/8	24-1/2	7/8	PMX 360/ 420
41	01	16	21-1/2	1"	15-1/2	21	7/8	PMX 185/ 225(ECON)
42	01	13	25	1"	12-7/8	24-1/2	7/8	PMX 240/ 420(HOOD)
43	02	8	15	1/2"	7-1/2	14-1/2	7/16	DW- 02/ 03/ 04
44	01	24-1/2	24-1/2	1"	24	24	7/8	PM 720/ 840
45	01	11-1/2	22	1"	11	21-5/8	7/8	PX 240/ 300
46	01	11-1/2	21	1"	11	20-5/8	7/8	PX 185/ 225
47	01	24	36-5/8	1"	23-1/2	36-1/2	7/8	PMX 240/ 300(HOOD)
48	02	7-1/2	16-1/2	1"	7-3/8	16-7/16	7/8	DW- 06/ 08
49	01	9-5/8	18-1/2	1"	9-1/2	18-7/16	7/8	DW- 10/ 12/ 14
50	05	11	22-3/4	1"	10-7/8	22-11/16	7/8	DW- 16/ 18/ 20
51	01	16	21	1"	15-7/8	20-7/8	7/8	PDS 240/ 300(HOOD)
52	01	26	21	1"	25-7/8	20-7/8	7/8	PDS 360/ 420(HOOD)
53	01	25-1/2	35-1/2	1"	25-3/8	35-3/8	7/8	PDS 720/ 840(HOOD)
54	02	16	12	1"	15-7/8	11-7/8	7/8	PDS 120/ 150(HOOD)
55	01	12	23-1/4	1"	11-1/2	23	7/8	PDS- 036/ 048
56	01	21	12	1"	20-7/8	11-7/8	7/8	PDS- 036/ 048

Tolerance: : Unless noted (±) : fraction 1/32" ; Decimal 0.8mm			SHEET 1 of 2		SCALE : N.T.S
ADDED SUF# 86&87	HUSAIN	25-10-05	WRITER	AL-ALI. HUSAIN	
UPDATE SUFF #36,38,39,43& 71	HUSAIN	30-05-05	INITIATOR	SHAHID/OTHMAN	
SUFF 85 ADDED	HUSAIN	24-05-05	CHECKED	SIRAJ/ ASIF	
ADDED NEW VENDOR	SHAMS	07-03-05	VERIFIED	Mohd. Al Sayyed	
THE ACTUAL SIZE OF B DIM OF SUF 50 WAS 21-11/16	HUSAIN	28-12-04	APPROVAL	A. MATHEW	
ADDED SUFF 83&84	HUSAIN	19-12-04	Issue Date	27-11-1999	
Revision Details	Designer	Rev.Date	File Ref.	Ziicnas\Eng-Specs\800\24935-87	



ENGINEERING SPECIFICATION

Part No.	800-249-SUF (35-87)
Ref. Code	306
U.O.M.	EA
Engg. Ref.	SEE TABLE

Part Description : FILTER ALUMINUM – SIZE 1/ 2" &1" THICK.

NNN1-2

SUF. NO.	REV. NO	NORMAL SIZE -INCHES	ACTUAL SIZE - INCHES			ENGG. REF.
		WIDTH x LENGTH x DEPTH	A	B	C	
57	01	26-3/4 x 21-3/4 x 1"	26-5/8	21-5/8	7/8	PMX 360/ 420
58	01	18-1/2 x 14-1/2 x 1"	18-3/8	14-3/8	7/8	PMX 480
61	01	7-5/8 x 14-11/16 x 1"	7-1/2	14-1/2	7/8	DW- 02/03/04
62	02	8-3/4 x 19-13/16 x 1/ 2"	8-5/8	19-11/16	7/16	CWX/ L 10/12
63	01	25-1/2 x 16 x 1"	25-3/8	15-7/8	7/8	PDS 660-840
64	01	18-1/2 x 19-1/2 x 1"	18-3/8	19-3/8	7/8	PMX 720/ 840
65	02	13-1/4 x 20-3/4 x 1"	13-1/8	20-5/8	7/8	PY 036-150 (HOOD)
66	01	25-1/2 x 25-1/2 x 1"	25-3/8	25-3/8	7/8	PDS 480/ 540/ 600
67	01	14-3/4 x 25-3/4 x 1"	14-5/8	25-5/ 8	7/8	PY 060-048-036
68	01	33-1/8 x 21-1/2 x 1"	33	21-3/ 8	7/8	PY180-340 (HOOD)
69	01	18-1/2 x 40-1/2 x 1"	18-3/8	40-3/ 8	7/8	PMX720/ 840
70	01	25-1/2 x 12 x 1"	25-3/8	11-7/ 8	7/8	PDS 480/ 540/ 600
71	02	16-7/8 x 18-3/4 x 1"	16-3/8	18-1/ 4	7/8	PY 075-090
72	01	17-5/8 x 23-7/8 x 1"	17-1/2	23-3/ 4	7/8	PY100-150
77	01	17-3/8 x 25-1/8 x 1/ 2"	17-1/4	25	7/16	BX03
78	01	17-3/8 x 31-5/8 x 1/ 2"	17-1/4	31-1/2	7/16	BX05
79	01	14 x 19 x 1/ 2"	13-1/2	18-1/2	7/16	BX07
80	01	20-1/8 x 41-1/4 x 1"	20	41-1/8	7/8"	PMX480-600(HOOD)
83	01	14-1/2 x 19 x 1"	14	18-1/2	7/8	BX07NEW
84	01	14-1/2 x 19 x 1/2"	14	18-1/2	7/16	BX07NEW
85	00	12 x 24 x 1"	11-1/2	23-1/2	7/8	CAC
86	00	10 x 18 x 1/2"	9-7/8	17-15/16	7/16	WHE
87	00	10 x 20-5/8 x 1/2"	9-7/8	20-9/16	7/16	WHE

Tolerance: : Unless noted (±) : fraction 1/32" ; Decimal 0.8mm		SHEET 2 of 2		SCALE : N.T.S	
ADDED SUF# 86&87	HUSAIN	25-10-05	WRITER	AL-ALI. HUSAIN	
UPDATE SUFF #36,38,39,43 & 71	HUSAIN	30-05-05	INITIATOR	SHAHID/OTHRMAN	
SUFF 85 ADDED	HUSAIN	24-05-05	CHECKED	SIRAJ/ ASIF	
ADDED NEW VENDOR	SHAMS	07-03-05	VERIFIED	Mohd. Al Sayyed	
THE ACTUAL SIZE OF B DIM OF SUF 50 WAS 21-11/16	HUSAIN	28-12-04	APPROVAL	A.MATHEW	
ADDED SUFF 83&84	HUSAIN	19-12-04	Issue Date	27-11-1999	
Revision Details		Designer	Rev.Date	File Ref.	Ziencas\Eng-Specs\800\24935-87