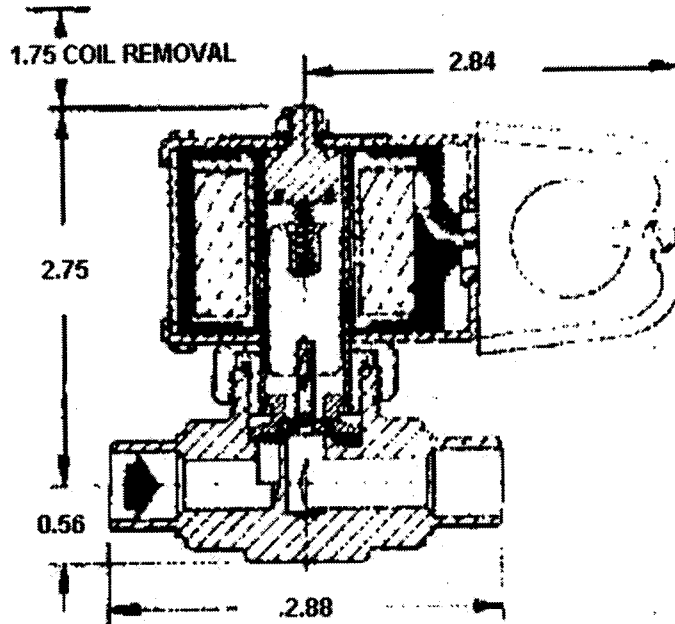


**COMPONENT-MATERIAL  
ENGINEERING SPECIFICATION**

Part No.	800-705-19	REV 04
Ref. Code	408	
U.O.M.	EA	
Engg. Ref.	CH	

Part Description : SOLENOID VALVE 1/2" ODF



MM1-1

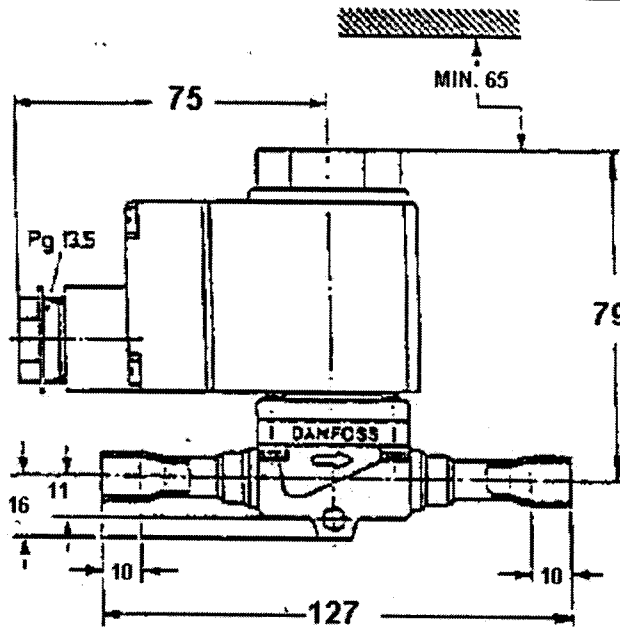
**TYPE 89S2**

<b>VENDOR</b>	: SPORLAN
<b>VENDOR MODEL No</b>	: B9S2-MKC2-208/240V. 50/60Hz
<b>CONNECTION SIZE</b>	: 1/2" O.D.F.
<b>PORT SIZE</b>	: 9/32"
<b>MOPD [PSI]</b>	: 300 FOR AC 250 FOR DC
<b>NOMINAL LIQUID</b>	: 7.5TR [3PSI DROP]
<b>CAPACITY [R-22]</b>	: 8.8TR [3PSI DROP]
<b>COIL SPECIFICATION</b>	: 208/ 240V. 50-60Hz. 31VA HOLDING 79VA INRUSH

ALL DIMENSIONS ARE IN mm (BRACKET DIMENSIONS ARE IN INCHES)				SHEET 1 of 2		SCALE : N.T.S	
Tolerance: : Unless noted (±) : fraction 1/32" ; Decimal 0.031				WRITER	AL-ALI. HUSAIN		
				INITIATOR	YOUSEF		
				ENG. CHECK	M.KHAWALDEH		
04	DANFOSS SPECS. UPDATED AS PER REQUIRED	HUSAIN	16-04-06	VERIFIED	Moh'd Al Sayyed		
03	VOLTAGE WAS 220V, WATTS WAS 10 COIL VOLTS WAS 198-253V			APPROVED	FAWAZ AL-BITAR		
REV	Revision Details	Designer	Rev.Date	Issue Date	09-02-1985		
				File Ref.	Ziicnas\Eng-Specs\800\70519		

Part No.	800-705-19	REV 04
Ref. Code	408	
U.O.M.	EA	
Engg. Ref.	CH	

Part Description : SOLENOID VALVE 1/2" ODF



MM1-2

VENDOR	: DANFOSS
CODE No	: 032F1217 + 018F6732
NOMINAL LIQUID CAPACITY	: 8.9 TON
TYPE	: EVR10 NORMALLY CLOSED
REFRIGERANT	: R-12, R-22, R502
CONNECTIONS	: 1/2" . ODF SOLDER
MAX. WORKING PRESSURE /PB	: 35 BAR
KV-VALUE	: 1.9m <sup>3</sup> /H
MAX. MEDIA TEMPERATURE	: +105°C
MIN. MEDIA TEMPERATURE	: -40°C
MAX. OPENING DIFF. PRESSURE	: 21 BAR
MIN. OPENING DIFF. PRESSURE	: 0.05 BAR
AMBIENT TEMPERATURE	: -40, +80°C
VOLTAGE	: 220-230V
FREQUENCY	: 50/60 Hz
POWER	: 10 W
ENCLOSURE	: IP 67

THE COIL WILL BE DELIVERED WITH A TERMINAL BOX

**COIL SPECIFICATION ; 220-230V , 50/60 Hz , 21VA HOLDING  
44VA INRUSH**

ALL DIMENSIONS ARE IN mm (BRACKET DIMENSIONS ARE IN INCHES)

SHEET 2 of 2

SCALE : N.T.S

Tolerance: : Unless noted ( ± ) : fraction 1/32" ; Decimal 0.031

				WRITER	AL-ALI. HUSAIN
				INITIATOR	YOUSEF
				ENG. CHECK	M.KHAWALDEH
04	DANFOSS SPECS. UPDATED AS PER REQUIRED	HUSAIN	16-04-06	VERIFIED	Moh'd Al Sayyed
03	VOLTAGE WAS 220V, WATTS WAS 10 COIL VOLTS WAS 198-253V			APPROVED	FAWAZ AL-BITAR
REV	Revision Details	Designer	Rev.Date	Issue Date	09-02-1985
				File Ref.	Ziicnas\Eng-Specs\800\70519