



**RESEARCH & DEVELOPMENT
ENGINEERING SPECIFICATION**

Part No.	800-005-02	REV.	01
Ref. Code	405		
U.O.M.	EA		
Engg. Ref.	CAC		

Part Description : AIR FLOW SWITCH, SPDT

LLL1-1

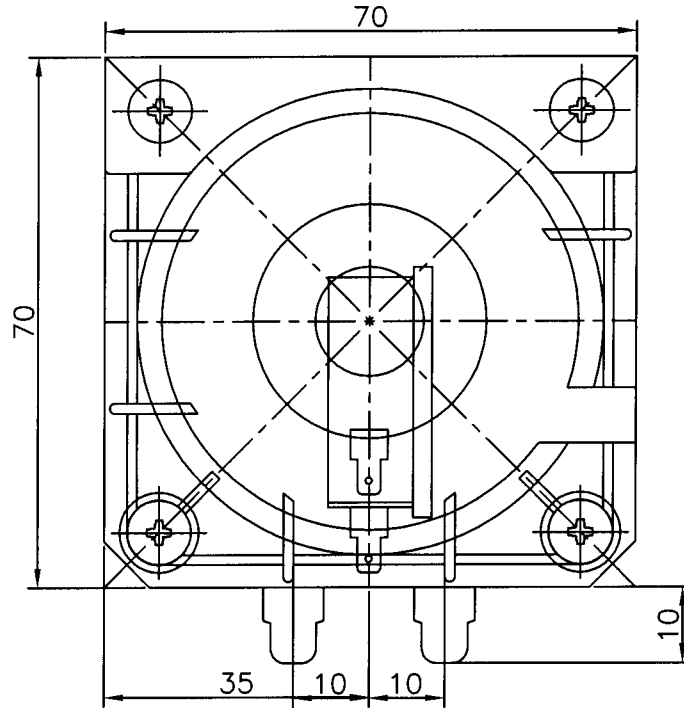
VENDOR	: 3S CONTROL, KOREA
MODEL NO	: 80-30PA
OPERATING TEMP. RANGE	: -40°C TO 90°C
OPERATING POINT	: ON -OFF: 60-30 Pa
ELECTRICAL RATINGS (MICRO SWITCH)	: 5A, 250VAC
HZ	: 50/60
TERMINALS	: 3/16" QUICK CONNECT - 3Nos
LIFE CYCLE	: 200,000 CYCLE
MARKING	: PART MUST BE MARKED WITH UL RECOGNITION MARK, ZAC P/N & VENDOR P/N
DIMENSION	: SEE ATTACHED SHEET 2 OF 2

ALL DIMENSIONS ARE IN mm				SHEET 1 OF 2		SCALE : N.T.S.	
Tolerance: Unless noted(±):Fraction: 1/32; Decimal: 0.031"				Prepared by	UMESH		<i>[Signature]</i>
				Checked by	IBRAHIM		<i>[Signature]</i>
					MATHEW		<i>[Signature]</i>
				Approved by	HASHIM A.BOUNYAN		<i>[Signature]</i>
01	MODEL# WAS 0-SEI-0803 AND TERMINAL WAS 1/4"	HUSAIN	15-12-03	Issue Date	30-01-02		
	Revision Details	Designer	Rev.Date	File Ref.	Zacsrvt2\Eng-specs\800\00502		

Part No.	800-005-02	REV.	01
Ref. Code	405		
U.O.M.	EA		
Engg. Ref.	CAC		

Part Description : AIR FLOW SWITCH, SPDT

LLL1-2



ALL DIMENSIONS ARE IN mm				SHEET 2 OF 2		SCALE : N.T.S.	
Tolerance: Unless noted(±):Fraction: 1/32; Decimal: 0.031"				Prepared by	UMESH		
				Checked by	IBRAHIM		
					MATHEW		
				Approved by	HASHIM A.BOUNYAN		
01	MODEL# WAS 0-SEI-0803 AND TERMINAL WAS 1/4"	HUSAIN	15-12-03	Issue Date	30-01-02		
	Revision Details	Designer	Rev.Date	File Ref.	Zacsrv2\Eng-specs\800\00502		