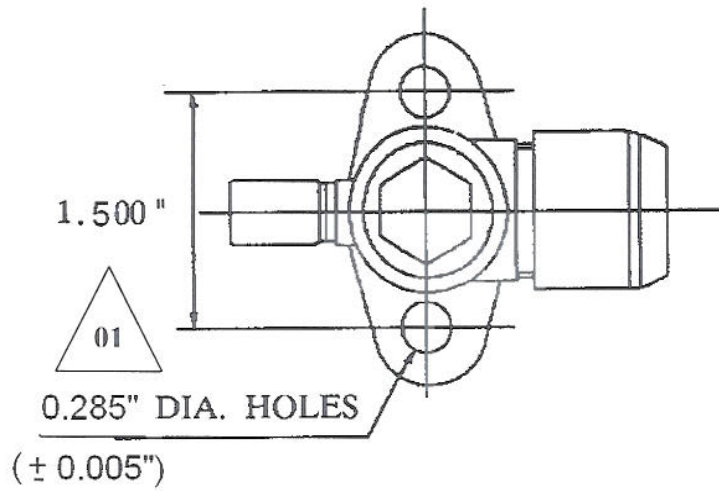




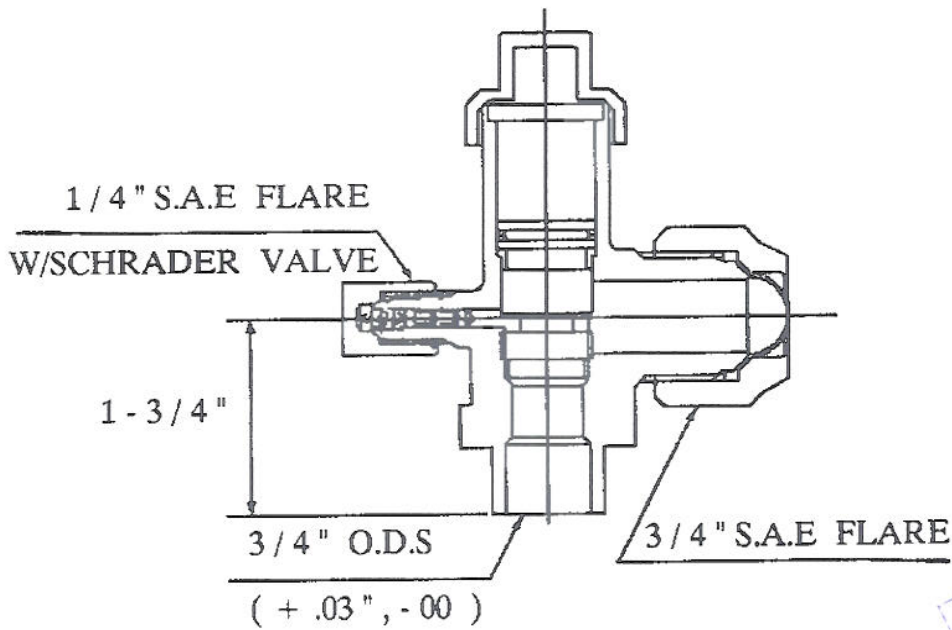
ENGINEERING SPECIFICATION

PART No.	800-210-05	Rev.
Ref. Code	212	01
Engg. Ref.	MO	
UOM	EA	

PART DESCRIPTION : BRASS SERVICE VALVES 3/4" ODS x 3/4" SAE FLARE



LL2-1



QUALIFIED

1/9/09
DATE

VENDOR: HON HAMN

**: INFORMATION TO BE PROVIDED BY VENDOR				Sheet 1 of 1	SCALE: NTS.
ALL DIMENSIONS ARE IN mm (BRACKET DIMENSIONS ARE IN INCHES)				WRITER	JAINUDEEN
Tolerance: : Unless noted (±) : fraction 1/32"; Decimal 0.031				INITIATOR	M.PASHA
				CHECK	M.PASHA
				VERIFIED	MUJEEB
				APPROVED	HARSHAL U.
01	DIM: 1.500" WAS 2.000" & 0.285" WAS 0.437"	JAINUDEEN	17.08.09	Issue Date	06.10.92
Rev	Revision Details	Designer	Rev.Date	File Ref.	Ziicnas\Eng-Specs\800\