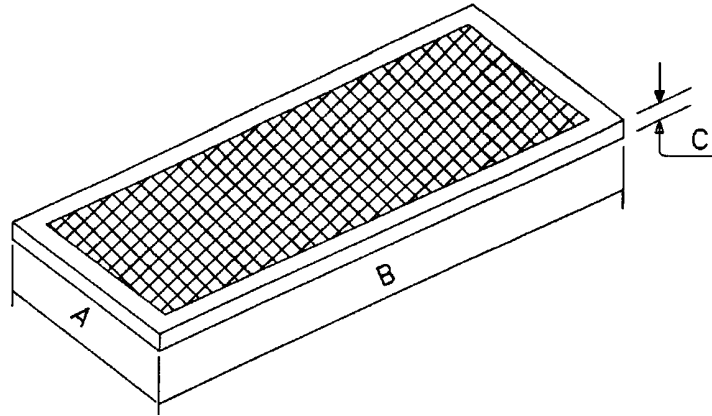




ENGINEERING SPECIFICATION

Part No.	800-255-SUF (62-73)
Ref. Code	306
U.O.M.	EA
Engg. Ref.	SEE TABLE

Part Description : ALUMINUM FILTER - SIZE 1" THICKNESS



GGG1-1

VENDOR : DAFF/ EXCEL
FRAME : ALUMINUM
MEDIA : EXPANDED ALUMINUM FOILS CORRAGATED FOR DEPTH

SUF No	REV No	Nominal Width "A" (In)	Nominal Height "B" (In)	Nominal Thickness "C" (In)	Actual Width "A" (In)	Actual Height "B" (In)	Actual Thickness "C" (In)	Actual Width "A" (mm)	Actual Height "B" (mm)	Actual Thickness "C" (mm)	ENGG. REF
62	00	12	24	1	11.5	23.5	0.875	292	597	22	PY240/300/340/360
63	00	16	20	1	15.5	19.5	0.875	394	495	22	BY05
64	00	16	24	1	15.5	23.5	0.875	394	597	22	
65	00	16	25	1	15.5	24.5	0.875	394	622	22	PY036/048/060
66	00	18	24	1	17.5	23.5	0.875	445	597	22	PY100/120/150/180/210, BY10
67	00	18	18	1	17.5	17.5	0.875	445	445	22	PY180/210
68	00	20	20	1	19.5	19.5	0.875	495	495	22	BY07
69	00	20	24	1	19.5	23.5	0.875	495	597	22	BY14/18/25
70	00	24	24	1	23.5	23.5	0.875	597	597	22	PY180/210/240/300/340/360, BY25
71	00	24	36	1	23.5	35.5	0.875	597	902	22	
72	00	20	25	1	19.5	24.5	0.875	495	622	22	BY03
73	00	15	20	1	14.5	19.5	0.875	368	495	22	

Tolerance: : Unless noted (±) : fraction 1/32" ; Decimal 0.8mm

SHEET 1 of 1

SCALE : N.T.S

WRITER	AL-ALI HUSAIN	
INITIATOR	OTHMAN/ SIRAJ	
CHECK	ABDULLA/ASIF	
VERIFIED	Mod. ALSAYYED	
APPROVAL	MATHEW	
Issue Date	22-03-2005	

Rev #	Revision Details	Designer	Rev.Date	File Ref.	Ziiceip001\Eng-Specs\800\ 25562-73
-------	------------------	----------	----------	-----------	------------------------------------