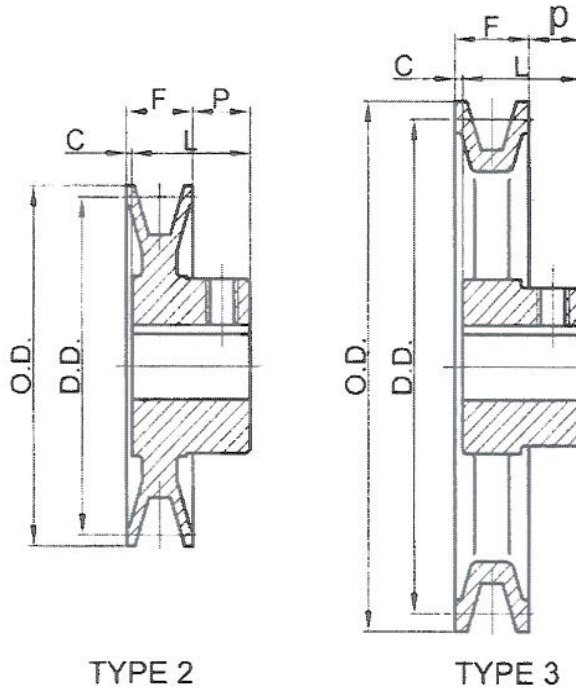


Part No.	800-162-SUF (13-20)
Ref. Code	304
U.O.M.	EA
Engg. Ref.	AP/AC/UP/UC

Part Description : PULLEY FIXED – BK



QUALIFIED
Wahid QA 25-03-02
 DATE

VENDOR : BROWNING/ CPT
MATERIAL : CAST IRON

SUF. No.	REV. No.	VENDOR MODEL	TYPE	BORE +0.01 -0.00	O.D	PITCH DIA.		DIM. 'F'	DIM. 'L'	DIM. 'P'	DIM. 'C'	WT. Lbs.	KEY SEAT WIDE x DEEP
						A BELT	B BELT						
13	01	BK 55	3	1.000	5.25	4.50	4.90	7/8	1-5/32	13/32	1/8	2.2	1/4 x 1/8
14	01	BK 67	3	1.000	6.45	5.70	6.10	7/8	1-5/32	13/32	1/8	2.8	1/4 x 1/8
15	01	BK 72	3	1.000	6.95	6.20	6.60	7/8	1-15/32	21/32	1/16	3.9	1/4 x 1/8
16	01	BK 52	3	1.000	4.95	4.20	4.60	7/8	1-5/32	13/32	1/8	2.0	1/4 x 1/8
17	01	BK 47	2	1.000	4.45	3.70	4.10	7/8	1-5/32	13/32	1/8	1.9	1/4 x 1/8
18	01	BK 62	3	1.000	5.95	5.20	5.60	7/8	1-5/32	13/32	1/8	2.3	1/4 x 1/8
19	01	BK 57	3	1.000	5.45	4.70	5.10	7/8	1-5/32	13/32	1/8	2.3	1/4 x 1/8
20	01	BK 50	3	1.000	4.75	4.00	4.40	7/8	1-5/32	13/32	1/8	2.0	1/4 x 1/8

ALL DIMENSIONS ARE IN mm (BRACKET DIMENSIONS ARE IN INCHES)				SHEET 1 of 1		SCALE : N.T.S	
Tolerance: : Unless noted (±) : fraction 1/32" ; Decimal 0.031				WRITER	AL-ALI. HUSAIN		<i>[Signature]</i>
				INITIATOR	AJITH		
				ENG. CHECK	J.USMANI		
				VERIFIED	M.SIRAJUDDIN		
SEE TABLE	ADDED NEW VENDOR (CPT)		HUSAIN	18-05-08	APPROVED	MATHEW	<i>[Signature]</i>
	ADDED SUFFIX 16 TO 20		SHUJAT	20-03-02	Issue Date	14-03-2002	
REV	Revision Details		Designer	Rev.Date	File Ref.	Ziicnas\Eng-Specs\800\16213-20	