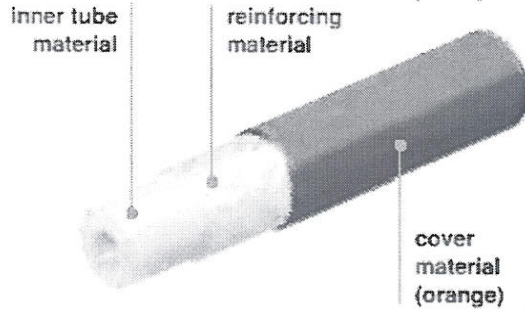




**COMPONENT-MATERIAL
ENGINEERING SPECIFICATION**

| | | |
|------------|--------------------|-----|
| Part No. | 800-040-SU (00-08) | REV |
| Ref. Code | 212 | 00 |
| U.O.M. | EA | |
| Engg. Ref. | CAC | |

Part Description : CAPILLARY HOSE ASSEMBLY WITH VALVE OPENER



F1-1

| QUADRA HOSE MATERIALS | | |
|-----------------------|---|-----------------------|
| Inner tube material | Reinforcing material | Material rivestimento |
| Thermoplastic polymer | High tensile strength polyester braid with high modulus | Thermoplastic polymer |

VENDOR : GOMAX
MODEL NO : QUADRA DN2
OUTSIDE DIAMETR : 5.9mm
MAX. WORKING PRESSURE : 60 bar
MAX WORKING TEMPERATURE : 130°C
TUBE COLOUR : ORANGE

| MODEL No | (ID) | (OD) | WORKING PRESSURE | MIN. BEND RADIUS | COLOR |
|------------|------|------|------------------|------------------|--------|
| | mm | mm | BAR (PSI) | mm | ORANGE |
| QUADRA DN2 | 2.0 | 5.9 | 60 (870) | 10 | |

NOTE:

QUADRA DN2 Capillary hose is fixed on one ends with "1/4" Straight female fitting with valve opener", while the other end is fixed with "1/4" straight female fitting without valve opener".

| | | | | | | | |
|--|------------------|--|--|--------------|-------------|---------------|------------------------------|
| ALL DIMENSIONS ARE IN mm (BRACKET DIMENSIONS ARE IN INCHES) | | | | SHEET 1 of 2 | | SCALE : N.T.S | |
| Tolerance: : Unless noted (±) : fraction 1/32" ; Decimal 0.031 | | | | WRITER | ANSAR AHMED | | |
| | | | | VERIFIED | ALMAR | | |
| | | | | ENG. CHECK | ENG ABBADI | | |
| | | | | APPROVED | AL SAYYED | | |
| | | | | Issue Date | 14-07-08 | | |
| REV | Revision Details | | | Designer | Rev.Date | File Ref. | Ziicnas\Eng-Specs\800\040_SU |

FORMAT # 4200 PE-B-A009

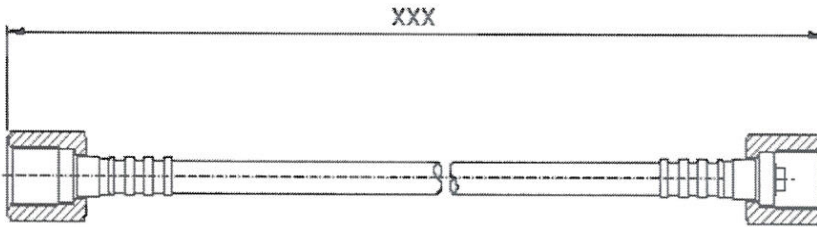




**COMPONENT-MATERIAL
ENGINEERING SPECIFICATION**

| | | | |
|------------|-------------------|-----|----|
| Part No. | 800040_SU (00-08) | REV | 00 |
| Ref. Code | 212 | | |
| U.O.M. | EA | | |
| Engg. Ref. | CAC | | |

Part Description : CAPILLARY HOSE ASSEMBLY WITH VALVE OPENER



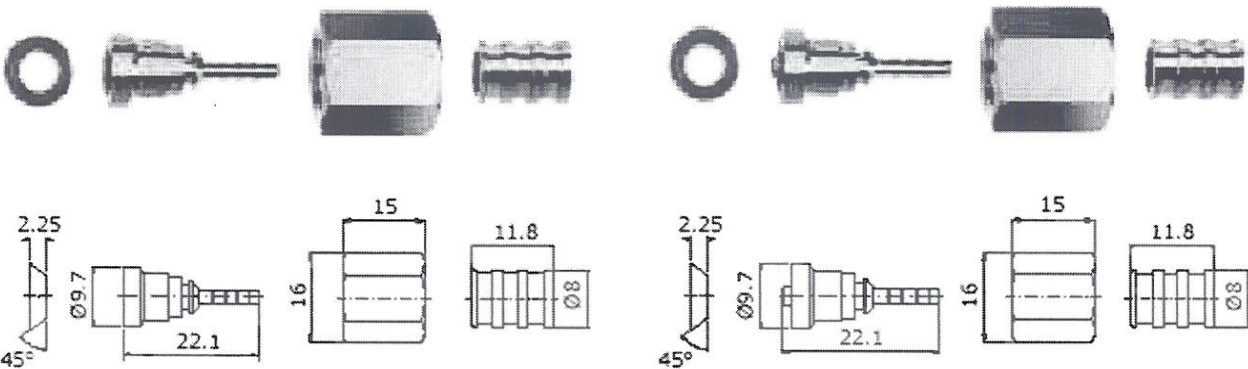
CCJXXX Quadra DN2 capillary hose with 1/4 SAE straight female fittings with Schraeder valve opener on one side

1/4 straight female fitting

DN2

1/4 straight female fitting+valve opener

DN2



| ZAMIL P/N | VENDOR MODEL | DESCRIPTION | LENGTH (mm) |
|-----------|--------------|---------------------------------|-------------|
| 00 | CCJ020 | QUADRA 2 OPEF/FEM 1/4SAE 0.20 m | 0.20 m |
| 01 | CCJ100 | QUADRA 2 OPEF/FEM 1/4SAE 1.00 m | 1.00 m |
| 02 | CCJ150 | QUADRA 2 OPEF/FEM 1/4SAE 1.50 m | 1.50 m |
| 03 | CCJ200 | QUADRA 2 OPEF/FEM 1/4SAE 2.00 m | 2.00 m |
| 04 | CCJ250 | QUADRA 2 OPEF/FEM 1/4SAE 2.50 m | 2.50 m |
| 05 | CCJ300 | QUADRA 2 OPEF/FEM 1/4SAE 3.00 m | 3.00 m |
| 06 | CCJ350 | QUADRA 2 OPEF/FEM 1/4SAE 3.50 m | 3.50 m |
| 07 | CCJ450 | QUADRA 2 OPEF/FEM 1/4SAE 4.50 m | 4.50 m |
| 08 | CCJ550 | QUADRA 2 OPEF/FEM 1/4SAE 5.50 m | 5.50 m |

| | | | | | | | |
|--|------------------|--|----------|--------------|-------------|------------------------------|--|
| ALL DIMENSIONS ARE IN mm (BRACKET DIMENSIONS ARE IN INCHES) | | | | SHEET 2 of 2 | | SCALE : N.T.S | |
| Tolerance: : Unless noted (±) : fraction 1/32" ; Decimal 0.031 | | | | WRITER | ANSAR AHMED | | |
| | | | | VERIFIED | ALMAR | | |
| | | | | ENG. CHECK | ENG ABBADI | | |
| | | | | APPROVED | AL SAYYED | | |
| | | | | Issue Date | 14-07-08 | | |
| REV | Revision Details | | Designer | Rev.Date | File Ref. | Ziicnas\Eng-Specs\800\040_SU | |

FORMAT # 4200 PE-B-A009

