



**COMPONENT-MATERIAL
ENGINEERING SPECIFICATION**

Part No.	800-085-SUF36&37	REV	03
Ref. Code	304		
U.O.M.	EA		
Engg. Ref.	UP/UC/AP/AC		

Part Description : PULLEY; VAR. PITCH. 95.25mm (3.75)

EEE1-1

BASIC REQUIREMENTS			
MATERIAL		CAST IRON	
TYPE OF BELT		V-BELT	
BORE DIAMETER	SUF	36	15.875 (5/8)
	SUF	37	22.225 (7/8)
PITCH DIAMETER		N/A	
BELT TYPE		4L OR A	5L OR B
PITCH DIAMETER		60.96(2.4)	86.36 (3.4)
		68.58(2.7)	94 (3.7)

REFERENCE DATA

VENDOR	BROWNING / POWER DRIVE/ CPT	
VENDOR PART No	1VL40	
BELT TYPE	4L OR A	5L OR B
MIN PITCH DIAMETER	60.96(2.4)	68.58(2.7)
No. OF TURNS OPEN	5	6
MAX. PITCH DIAMETER	86.36 (3.4)	94 (3.7)
No. OF TURNS OPEN	0	1
PITCH DIAMETER	N/A	
PULLEY DIAMETER (O.D.)	95.25 (3.75)	
KEY SEAT SIZE	4.76 x 2.38 (3/16 x 3/32)	
SET SCREW TYPE / SIZE	GRUB SCREW , 8mm – 18TPI x 9.5mm LENGTH	
WEIGHT	0.6Kg 1.3 Lbs.	
BUSH TYPE	N/A	
DIMENSIONAL DETAILS AS PER ENCLOSED SKETCH		

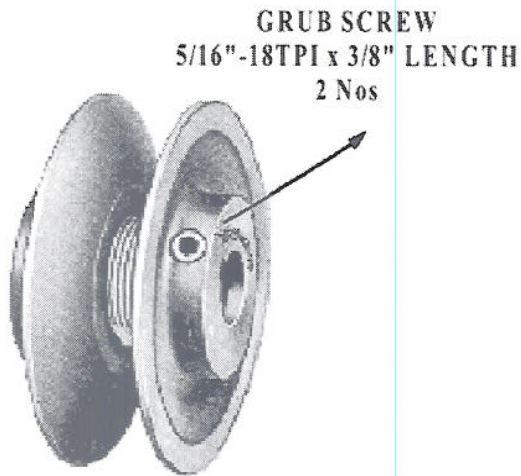
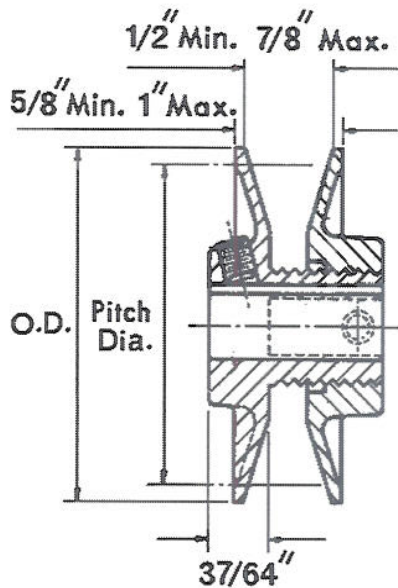
ALL DIMENSIONS ARE IN mm (BRACKET DIMENSIONS ARE IN INCHES)				SHEET 1 of 2		SCALE : N.T.S	
				WRITER	AL-ALI. HUSAIN		
				INITIATOR	AJITH		
				ENG. CHECK	M. SIRAJUDDIN		
03	ADDED NEW VENDOR (CPT)	HUSAIN	16-03-08	VERIFIED	M. SIRAJUDDIN		
02	ADDED GRUB SCREW DETAILS & NEW VENDOR	HUSAIN	03-10-05	APPROVED	MATHEW		
01	DELETED DIM. 1-11/16 ADDED SUF 04&06	SHUJAT	13-03-95	Issue Date	22-06-1994		
REV	Revision Details	Designer	Rev.Date	File Ref.	Ziicnas\Eng-Specs\800\08536&37		

Part No.	800-085-SUF36&37	REV	03
Ref. Code	304		
U.O.M.	EA		
Engg. Ref.	UP/UC/AP/AC		

Part Description : PULLEY; VAR. PITCH. 95.25mm (3.75)

EEE1-2

OPERATIONAL REQUIREMENTS	
MATERIAL	CAST IRON
ALIGNMENT OF SET SCREW	AT FULL CLOSED POSITION
DIMENSIONAL DETAILS AS PER THE DRAWING ENCLOSED	
BROWNING / POWER DRIVE/CPT; 1VL40	



QUALIFIED
Mathew 23-03-02
 QA DATE

ALL DIMENSIONS ARE IN INCHES				SHEET 2 of 2		SCALE : N.T.S	
				WRITER	AL-ALI. HUSAIN		<i>[Signature]</i>
				INITIATOR	AJITH		
				ENG. CHECK	M. SIRAJUDDIN		
03	ADDED NEW VENDOR (CPT)	HUSAIN	16-03-08	VERIFIED	M. SIRAJUDDIN		<i>[Signature]</i>
02	ADDED GRUB SCREW DETAILS & NEW VENDOR	HUSAIN	03-10-05	APPROVED	MATHEW		
01	DELETED DIM. 1-11/16 ADDED SUF 04&06	SHUJAT	13-03-95	Issue Date	22-06-1994		
REV	Revision Details	Designer	Rev.Date	File Ref.	Ziicnas\Eng-Specs\800\08536&37		