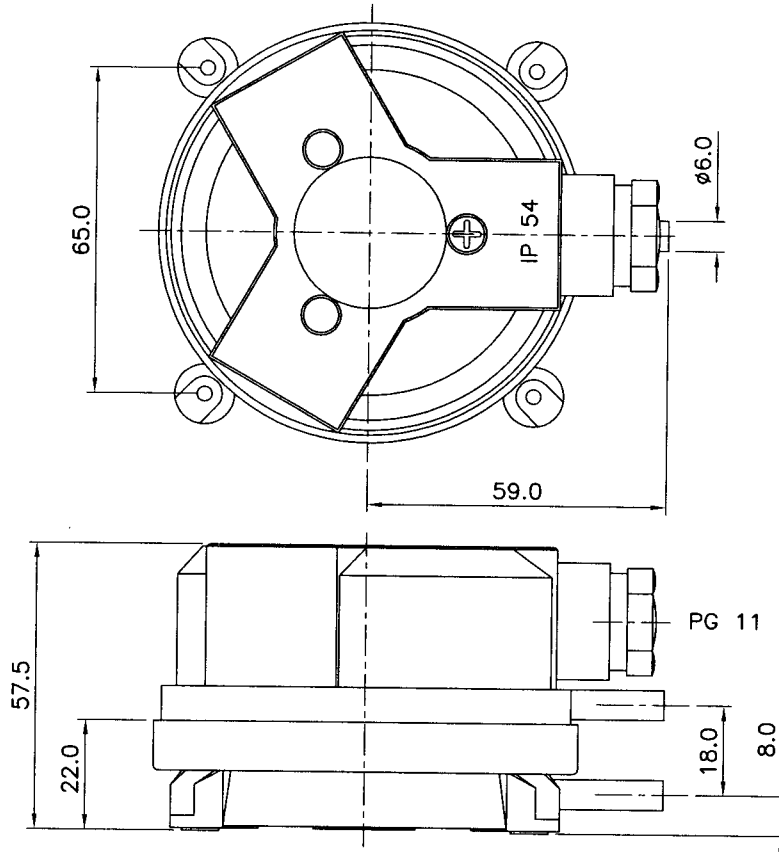


Part No..	801-085-52	REV.
Ref. Code	**	01
U.O.M.	EA	
Engg.Ref.	KW Series	

**PART DESCRIPTION : Differential pressure switch - 930.83x Climair**

Model : 930.83x Climair  
 Adjustment range for upper switching pressure : 50 to 500 Pa  
 Switching differential set to : 20 Pa  
 Tolerance for upper and lower switching pressure :  $\pm 15\%$   
 Temperature range :  $-20^{\circ}\text{C}$  to  $+85^{\circ}\text{C}$   
 Maximum operating pressure : 5000 Pa  
 Switching contacts : Upto max. 1.5A (0.4) / 250 V AC  
 Fitting method : Mounted directly without bracket  
 Adjustment knob : Scale in Pascal  
 Mechanical working life : Over  $10^6$  switching operations  
 IP protection category : IP 54 with transparent cover PG-11  
 Packaging : Individually boxed

EE1-1



\*\* INFORMATION TO BE PROVIDED BY VENDOR

ALL DIMENSIONS ARE IN mm.

Tolerance: Unless noted( $\pm$ ):Fraction: 1/32; Decimal: 0.031"

SHEET 1 OF 1 SCALE: N.T.S.

WRITER	SASIDHARAN	<i>Sasidharan</i>
INITIATOR	ANWAR	<i>Anwar</i>
CHECK	ANWAR	<i>Anwar</i>
VERIFIED	MOH'D AL SAYYED	
APPROVED	A. MATHEW	<i>A. Mathew</i>
01	TECHNICAL DATA REVISED.	SASI 30 JULY 05
Rev#	Revision Details	Designer Rev.Date
		Issue Date 20 AUG 2000
		File Ref. \\ZHCNAS\PE\80108552