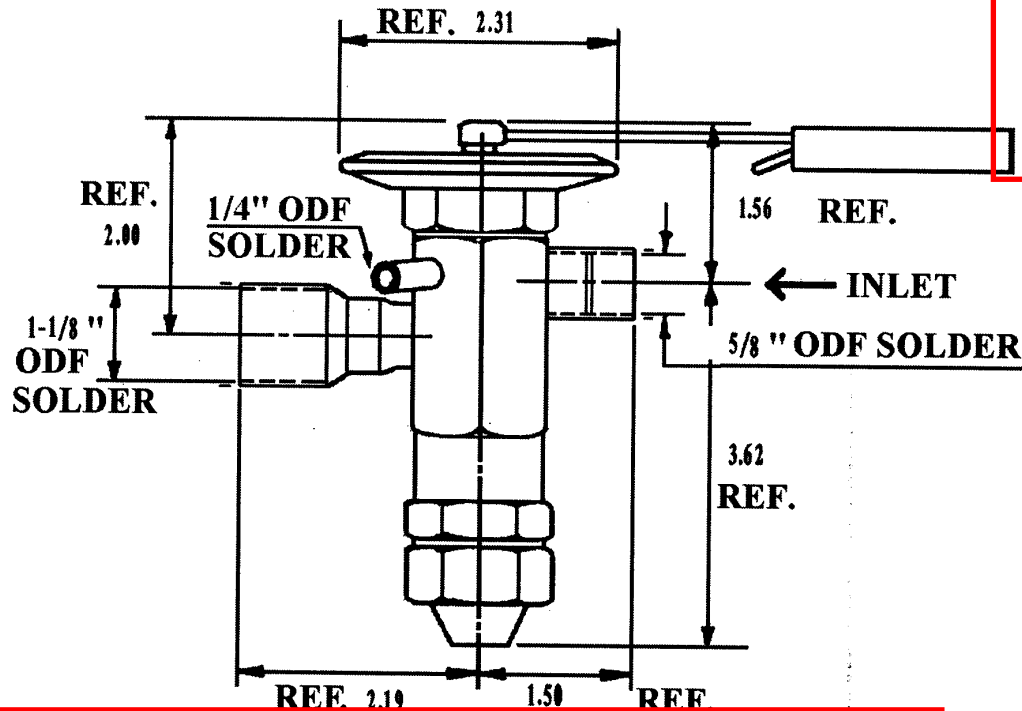


Part No.	800-182-00	REV
Ref. Code	206	04
U.O.M.	EA	
Engg. Ref.	CAC	

**Part Description : EXPANSION VALVE 8 TONS NOM 5/8" x 1-1/8**



DDD1-1

<b>VENDOR</b>	: SPORLAN	: ALCO
<b>VENDOR MODEL NO</b>	: SVE8CP100	: TAE8HW100
<b>TYPE</b>	: EXTERNAL EQUALIZER, 1/4" ID SWEAT CONNECTION	: EXTERNAL EQUALIZER, 1/4" ID SWEAT CONNECTION
<b>ELEMENT SIZE NO</b>	: **	: **
<b>REFRIGERANT</b>	: R-22	: R-22
<b>NOMINAL CAPACITY</b>	: 8 TONS	: 8 TONS
<b>THERMOSTATIC CHARGE</b>	: CP	: W100
<b>STANDARD TUBING LENGTH</b>	: 5 FEET	: 5 FEET
<b>INLET SIZE</b>	: 5/8" ODF SOLDER	: 5/8" ODF SOLDER
<b>OUTLET SIZE</b>	: 1-1/8" ODF SOLDRE	: 1-1/8" ODF SOLDRE
<b>BULB SIZE</b>	: 0.5" OD x 3.5"	: 0.63" OD x 3.06"
<b>NET WEIGHT</b>	: 2 Lbs	: 2 Lbs
<b>SHIPPING WEIGHT</b>	: 3 Lbs	: 3 Lbs
<b>END CAPS</b>	: INLET, OUTLET & EQUALIZER CONN. TO BE PLUGGED W/PLASTIC END CAPS	: INLET, OUTLET & EQUALIZER CONN. TO BE PLUGGED W/PLASTIC END CAPS
<b>MARKING</b>	: ZAC P/N, VENDOR, VENDOR MODEL No, & CONN. SIZE TO BE MARKED ON PACKING	: ZAC P/N, VENDOR, VENDOR MODEL No, & CONN. SIZE TO BE MARKED ON PACKING

\*\* : INFORMATION TO BE PROVIDED BY VENDOR

SHEET 1 of 2

SCALE : N.T.S

ALL DIMENSION ARE IN INCHES

WRITER AL-ALI. HUSAIN

Tolerance : Unless noted (±) : fraction 1/32" ; Decimal 0.031

INTIATOR OTHMAN

CHECK ASIF PASHA

VERIFIED Moh'd Al Sayyed

APPROVAL MATHEW

Issue Date 26-12-1981

Revision Details

Designer Rev.Date

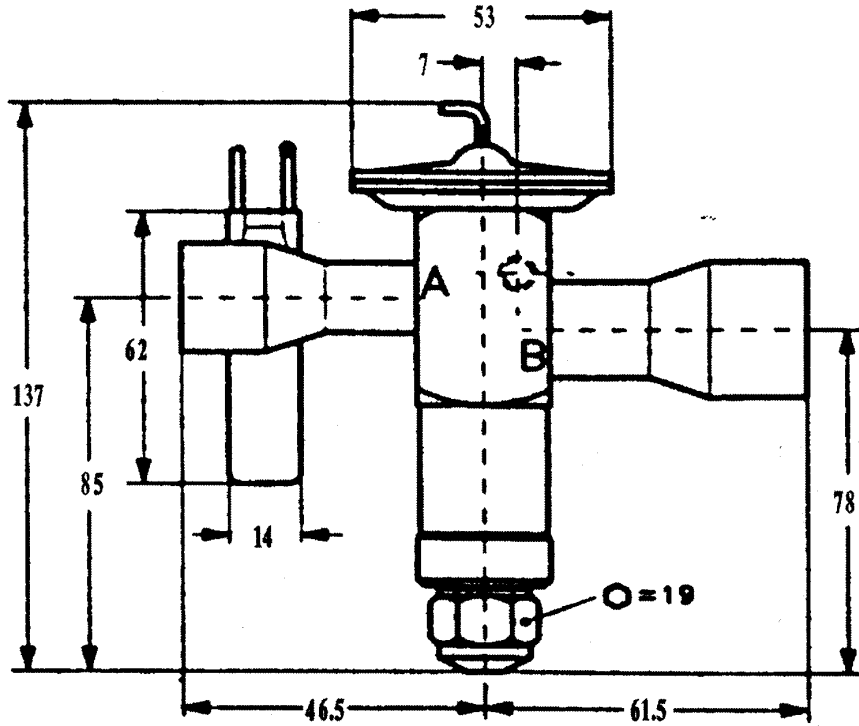
File Ref. Zitecnas/Eng-Specs/800/18200



# ENGINEERING SPECIFICATION

Part No.	800-182-00	REV
Ref. Code	206	04
U.O.M.	EA	
Engg. Ref.	CAC	

**Part Description : EXPANSION VALVE 8 TONS NOM 5/8" x 1-1/8"**



<b>VENDOR</b>	: DANFOSS
<b>VENDOR MODEL NO</b>	: TDEBX8
<b>TYPE</b>	: EXTERNAL EQUALIZER, 1/4" ID SWEAT CONNECTION
<b>RANGE</b>	: AC WITH MOP 120PSIG
<b>REFRIGERANT</b>	: R-22
<b>NOMINAL CAPACITY</b>	: 8 TONS (27.3Kw)
<b>THERMOSTATIC CHARGE</b>	: CP
<b>STANDARD TUBING LENGTH</b>	: 5 FEET (1.5M)
<b>INLET SIZE</b>	: 5/8" ODF SOLDER
<b>OUTLET SIZE</b>	: 1-1/8" ODF SOLDER
<b>NET WEIGHT</b>	: 0.6 Kg
<b>SHIPPING WEIGHT</b>	: **
<b>END CAPS</b>	: INLET, OUTLET & EQUALIZER CONN. TO BE PLUGGED W/PLASTIC END CAPS
<b>MARKING</b>	: ZAC P/N, VENDOR, VENDOR MODEL No, & CONN. SIZE TO BE MARKED ON PACKING

<b>** : INFORMATION TO BE PROVIDED BY VENDOR</b>				SHEET 1 of 2	SCALE : N.T.S
ALL DIMENSION ARE IN MM				WRITER	AL-ALI. HUSAIN
Tolerance: : Unless noted (±) : fraction 1/32" ; Decimal 0.031				INITIATOR	OTHMAN
				CHECK	ASIF PASHA
				VERIFIED	Moh'd Al Syyed
05	ADDED NEW VENDOR (DANFOSS) PAGE 2	HUSAIN	05-12-05	APPROVAL	MATHEW
03	ALCO CHARGE WAS (W)		05-05-85	Issue Date	26-12-1981
REV	Revision Details	Designer	Rev.Date	File Ref.	Ziicnas\Eng-Specs\800\18200