



ENGINEERING SPECIFICATION

Part No.	800-705-08	Rev.	02
Ref. Code	212		
U.O.M.	EA		
Engg. Ref.	CAC		

Part Description : PUMP DOWN SOLENOID VALVE 1-1/8

PART NAME	: PUMP DOWN SOLENOID VALVE	D1-1
VENDOR	: SPORLAN	
VENDOR PART NUMBER	: MB 25S2 – MKC2 – 208/240 – 50/60 Hz. (NORMALLY CLOSED)	
CONNECTIONS	: 1-1/8" ODF SOLDER x 1-1/8" ODF SOLDER	
PORT SIZE	: 25/ 32"	
MOPD (MAX. OPERATING PRES. DIFFERENTIAL)	: 300 PSI	
NOMINAL LIQUID CAPACITY R-22	: 39 TONS	
COIL RATINGS	: 208-240 V / 50-60 Hz.	
COIL WATTS	: 15	
DIMENSIONS HEIGHT	: 5.62"	
LENGTH	: 4.88"	
NET WEIGHT (LBS)	: 5-1/2"	
U/L COMPONENT LISTED.		

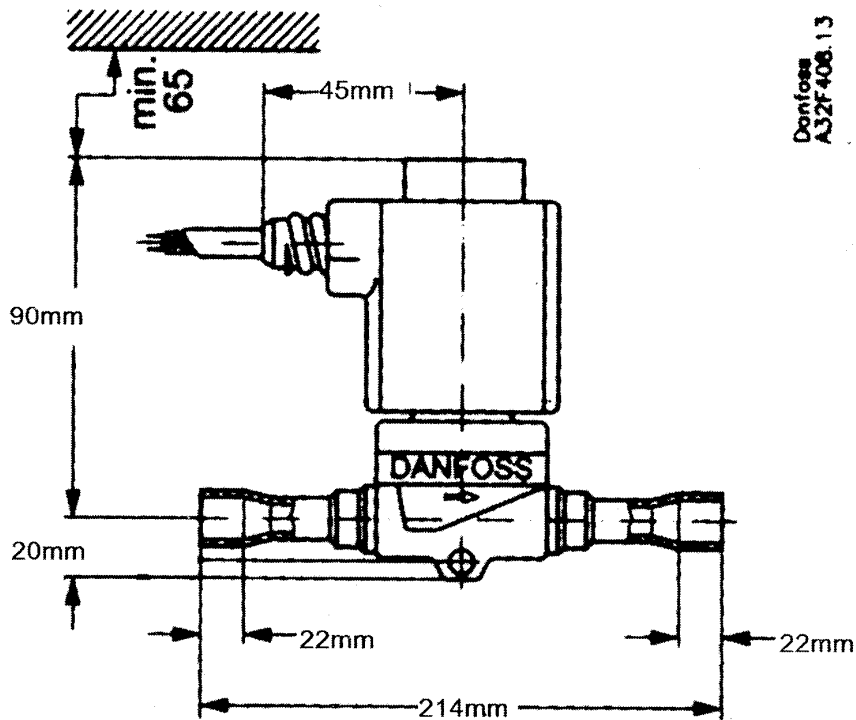
** : INFORMATION TO BE PROVIDED BY VENDOR				SHEET 1 of 2	SCALE : N.T.S
ALL DIMENSION ARE IN INCHES ; (BRACKET DIMENSION ARE IN mm)				WRITER	AL-ALI.HUSAIN
Tolerance: : Unless noted (±) : fraction 1/32" ; Decimal 0.031				INITIATOR	ABDULLAH
				ENG. CHECK	T.ASIF PASHA
				VERIFIED	Moh'd Al Sayyed
02	ADDED NEW VENDOR (DANFOSS)	HUSAIN	18-04-06	APPROVAL	MATHEW
01	REDRAWIN IN WORD WITH SEPARATE REVISION	HUSAIN	28-10-03	Issue Date	29-10-2003
Rev #	Revision Details	Designer	Rev.Date	File Ref.	Zacsrvt2\Eng-Specs\800\ 70508



ENGINEERING SPECIFICATION

Part No.	800-705-08	Rev.
Ref. Code	212	02
U.O.M.	EA	
Engg. Ref.	CAC	

Part Description : PUMP DOWN SOLENOID VALVE 1-1/8



Danfooss
A32F406.13

D1-2

PART NAME	: PUMP DOWN SOLENOID VALVE
VENDOR	: DANFOSS
VENDOR MODEL	: EVR20
VENDOR PART NUMBER	: 032F1244+018F7681 (NORMALLY CLOSED)
CONNECTIONS	: 1-1/8" ODF SOLDER x 1-1/8" ODF SOLDER
PORT SIZE	: 22 mm
MOPD (MAX. OPERATING PRES. DIFFERENTIAL)	: 25 BAR
NOMINAL LIQUID CAPACITY R-22	: 40.7 TONS @ΔP 0.3BAR
COIL RATINGS	: 208-240 V / 50-60 Hz.
COIL WATTS	: 14
DIMENSIONS HEIGHT	: 110mm
LENGTH	: 1.81m
NET WEIGHT (LBS)	
U/L COMPONENT LISTED.	: 5-1/2"

** : INFORMATION TO BE PROVIDED BY VENDOR				SHEET 1 of 2	SCALE : N.T.S
ALL DIMENSION ARE IN INCHES ; (BRACKET DIMENSION ARE IN mm)				WRITER	AL-ALLHUSAIN
Tolerance: : Unless noted (±) : fraction 1/32" ; Decimal 0.031				INITIATOR	ABDULLAH
				ENG. CHECK	T.ASIF PASHA
				VERIFIED	Moh'd Al Sayyed
02	ADDED NEW VENDOR (DANFOSS)	HUSAIN	18-04-06	APPROVAL	MATHEW
01	REDRAWIN IN WORD WITH SEPARATE REVISION	HUSAIN	28-10-03	Issue Date	29-10-2003
Rev #	Revision Details	Designer	Rev.Date	File Ref.	Zacsrvt2\Eng-Specs\800\ 70508