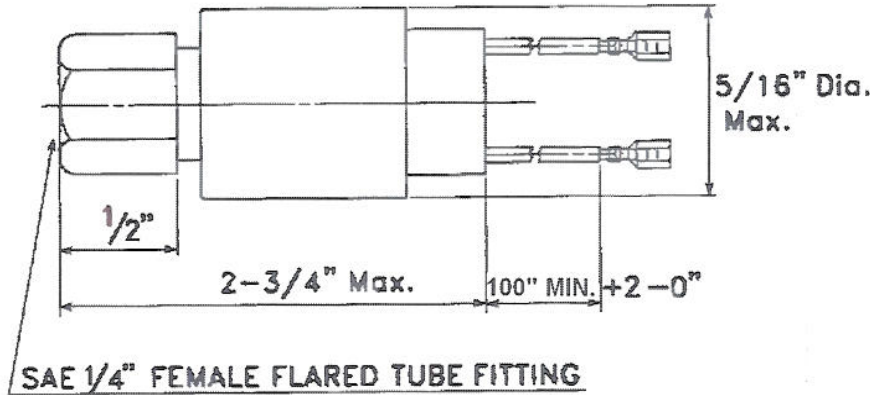


Part Description : FAN CYCLING CONTROL NON-ADJUSTABLE / R134a



CCC1-1

BASIC REQUIREMENTS

VENDOR	HARTLAND CONTROLS
TYPE	SPST-NO; LIQUID PROOF & AUTO-RESET PRESSURE SWITCH
PRESSURE RATING (CLOSE)	225 PSIG ±15
PRESSURE RATING (OPEN)	125 PSIG ± 15
ELECTRICAL RATING	5.8FLA / 34.8 LRA (Min.) @ 120VAC/ 2.9FLA /15 LRA @ 240VAC
PROOF PRESSURE	600PSIG (MIN)
MOUNTING	HEX 14; 1/4" SAE FEMALE FLARE FITTING
LEADS	#18AWG; WITH 1/4"QC TERMINAL – WITH SOFT INSULATION OR WITHOUT INSULATION
LEAD COLOR	BLUE
MAX. OPERATING TEMP. (Deg C)	80°C
LIFE @ RATED LOAD (minimum)	100000 CYCLES
CETRTIFICATION	UL
IDENTIFICATION	ZAC P/N AND CUT-OUT & CUT-IN PRESSURE TO BE MARKED ON THE PART
PACKAGING	100 EA/ BOX
LIST OF ACCESSORIES / SPECIAL FEATURES (If applicable)	NIL

NOTES

- PRESSURE CONTROL CANTACTS TO BE WATER PROOF
- VENDOR TO STAMP CUT-OUT & CUT-IN PRESSURES ON PART
- PRESSURE CONTROL TO BE UL LISTED



ALL DIMENSION ARE IN INCHES				SHEET 1 of 2		SCALE : N.T.S	
Tolerance: : Unless noted (±) : fraction 1/32" ; Decimal 0.031				WRITER	AL-ALI. HUSAIN		
				INTIATOR	MURAD		
				CHECK	MURAD/FASI		
				VERIFIED	M.SIRAJUDDIN		
				APPROVAL	MATHEW		
01	UPDATED HARTLAND CONTROLS' DRAWING	HUSIAN	15-06-09	Issue Date	31-03-2009		
REV#	Revision Details	Designer	Rev.Date	File Ref.	Ziicnas\Eng-Specs\800\64703		

Part No.	800-647-03	REV.	01
Ref. Code	407		
U.O.M.	EA		
Engg. Ref.	UP/UC		

Part Description : FAN CYCLING CONTROL NON-ADJUSTABLE / R134a

VENDOR : HARTLAND CONTROLS

CCC1-2

Operation Characters	Technical Parameters	Appearance Drawing
ON (psig)	OFF (psig)	800-647-03
225 ± 15	125 ± 15	
Electrical Ratings	120/240VAC, 375VA	800-647-03
	120VAC, 5.8FLA-34.8LRA	
	240VAC, 2.9FLA-15LRA	
	28VAC/DC, 2A	
Contactor Style	 Pressure Rises	
Contact Resistance	< 20mΩ (Except Load Wire)	
Insulation Resistance	DC500V Not Less Than 100MΩ	
Insulation Strength	Endure AC1500V × 1min	
Maximum Operating Pressure	650 psig	
Leakage Testing Pressure	650 psig	
Burst Pressure	5000 psig	
Ambient Temperature	-35°C ~ 65°C	
Medium Temperature	-35°C ~ 65°C	
Life Cycles	100,000 Cycles	
UL	E257030, E200318	

Label:
 Max. Working Pressure: 650 PSI (4.5 BAR) or 115 psig
 Working Pressure: 650 PSI (4.5 BAR) or 115 psig
 For: HC

Drawn by	Checked by	Approved by
Reviewed by	Designated by	Drawn by
Checked by	Designated by	Drawn by
Checked by	Designated by	Drawn by

QUALIFIED
 15/6/09
 DATE

ALL DIMENSION ARE IN INCHES
SHEET 2 of 2
SCALE : N.T.S

Tolerance: : Unless noted (±) : fraction 1/32" ; Decimal 0.031				WRITER	AL-ALI. HUSAIN
				INTIATOR	MURAD
				CHECK	MURAD/FASI
				VERIFIED	M.SIRAJUDDIN
				APPROVAL	MATHEW

01	UPDATED HARTLAND CONTROLS' DRAWING	HUSIAN	15-06-09	Issue Date	31-03-2009
----	------------------------------------	--------	----------	------------	------------

REV#	Revision Details	Designer	Rev.Date	File Ref.	Zicnas\Eng-Specs\800\64703
------	------------------	----------	----------	-----------	----------------------------