



**RESEARCH & DEVELOPMENT  
ENGINEERING SPECIFICATION**

|            |            |      |    |
|------------|------------|------|----|
| Part No.   | 800-208-18 | Rev. | 00 |
| Ref. Code  | 212        |      |    |
| U.O.M.     | EA         |      |    |
| Engg. Ref. | C A C      |      |    |

**Part Description : SERVICE VALVE 7/8" x 7/8" ID SWEAT WITH BRACKET**

**VENDOR : AUTOMATIC MACHINE PRODUCTS Co. FAX (508) 222-2307**

**PART No. : AMP # 98003**

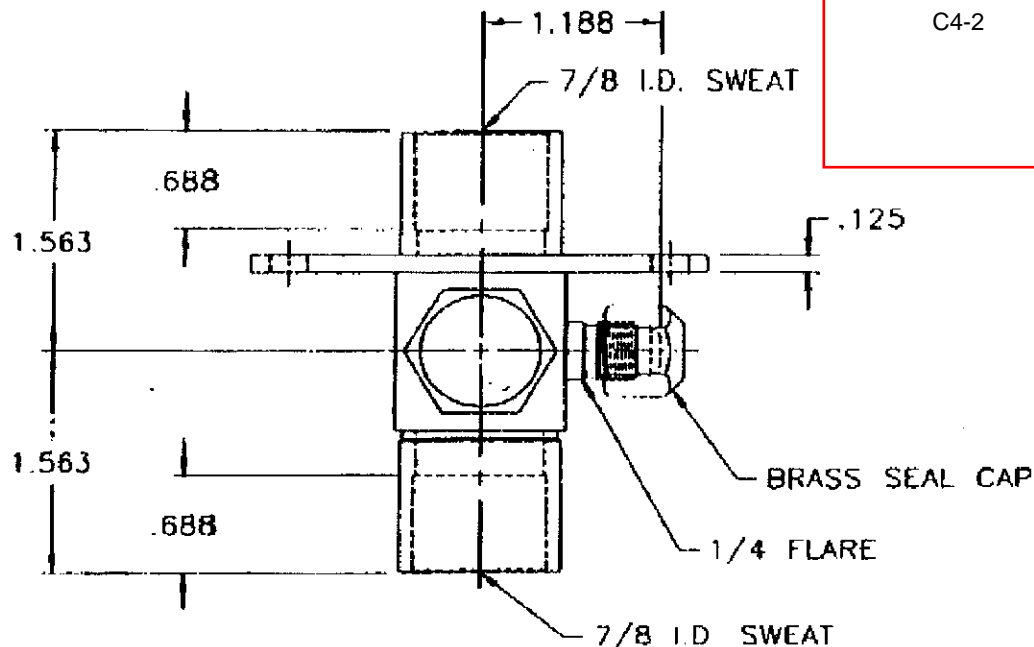
**SIZE : 7/8" x 7/8" ID SWEAT**

C4-1

**MATERIAL : ALL BRASS**

**NOTE : COVER ALL INLET & OULET OPENINGS WITH PLASTIC CAPS**

|  |                         |                 |                 |                     |                                     |                      |  |
|--|-------------------------|-----------------|-----------------|---------------------|-------------------------------------|----------------------|--|
| <b>ALL DIMENSION ARE IN mm</b>                                       |                         |                 |                 | <b>SHEET 1 of 2</b> |                                     | <b>SCALE : N.T.S</b> |  |
| <b>Tolerance : Unless noted (±) : fraction 1/32" ; Decimal 0.031</b> |                         |                 |                 | <b>Prepared by</b>  |                                     | <b>S.SHUJATULLAH</b> |  |
|  |                         |                 |                 | <b>Checked by</b>   |                                     | <b>M.SIRAJUDDIN</b>  |  |
|  |                         |                 |                 |                     |                                     | <b>MATHEW</b>        |  |
|  |                         |                 |                 | <b>Approved by</b>  |                                     | <b>H.A.BOUNYAN</b>   |  |
| 00   | REPLACE P/N 800-207-18  | SHUJAT          | 02-09-02        | <b>Issue Date</b>   | <b>02-09-2002</b>                   |                      |  |
| <b>Rev #</b>   | <b>Revision Details</b> | <b>Designer</b> | <b>Rev.Date</b> | <b>File Ref.</b>    | <b>Zacsrv2\Eng-Specs\800\ 20818</b> |                      |  |



**PRELIMINARY  
ONLY  
NOT FOR PRODUCTION**  
APPVD:                      DATE:

