

**Part Description : SERVICE VALVE BRASS ; 1-1/8" x 1-1/8" ID SWEAT WITH BRACKET**

**VENDOR : AUTOMATIC MACHINE PRODUCTS Co. FAX (508) 222-2307**

**PART No. : AMP # 98004**

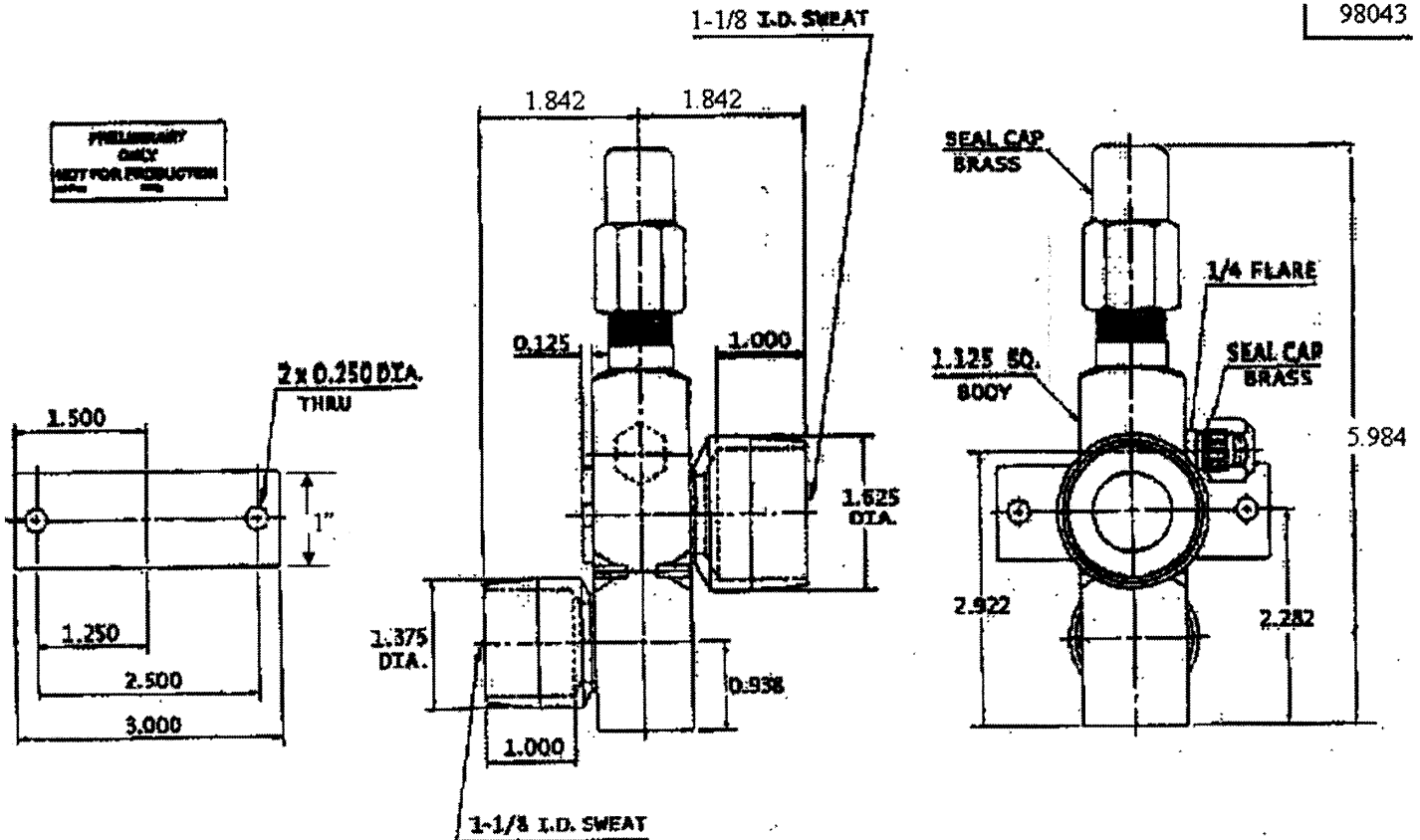
**SIZE : 1-1/8" x 1-1/8" ID SWEAT**

**MATERIAL : ALL BRASS**

C2-1

**NOTE: COVER ALL INLET & OULET OPENINGS WITH PLASTIC CAPS**

98043



ALL DIMENSION ARE IN INCHES

SHEET 1 of 2

SCALE : N.T.S

				WRITER	AL-ALLHUSAIN	
				INITIATOR & CHECK	M.SIRAJUDDIN	
03	ADDED P/N AND UPDATED DWG	HUSAIN	16-04-05	VERIFIED	Moh'd Al Sayyed	
02	DIM REVISED TO SUIT VENDOR P# 98043	HUSAIN	21-02-04	APPROVAL	MATHEW	
01	VENDOR PART # WAS AMP#98004	HUSAIN	09-11-03	Issue Date	21-07-2003	
Rev #	Revision Details	Designer	Rev.Date	File Ref.	Zacsrv2\Eng-Specs\800\ 20823	

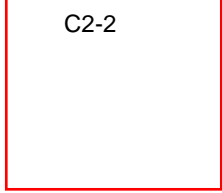
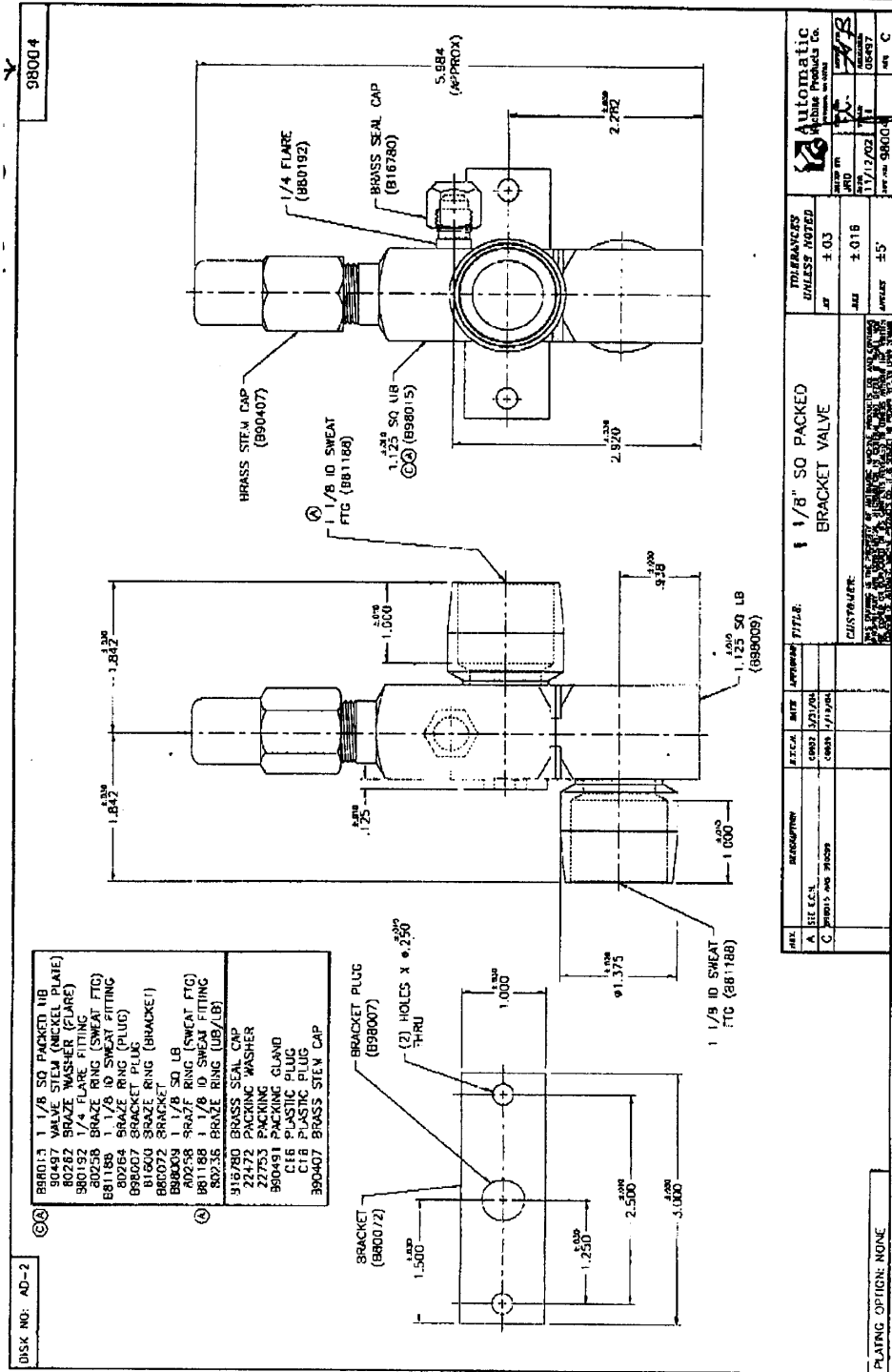


# RESEARCH & DEVELOPMENT ENGINEERING SPECIFICATION

Part No.	800-208-23
Ref. Code	212
U.O.M.	EA
Engg. Ref.	C A C

Rev. 03

Part Description : SERVICE VALVE BRASS ; 1-1/8" x 1-1/8" ID SWEAT WITH BRACKET



ITERANCES UNLESS NOTED	± 0.3
DATE	17/2/2003
APPROVED BY	(Signature)
CHECKED BY	(Signature)
DESIGNED BY	(Signature)
TITLE	1 1/8" SQ PACKED BRACKET VALVE
REVISION	01
DATE	17/2/2003
CUSTOMER	(Signature)
SCALE	AS SHOWN
PLATING OPTION	NONE

ALL DIMENSION ARE IN INCHES

SHEET 2 of 2

SCALE : N.T.S

03	ADDED P/N AND UPDATED DWG	HUSAIN	16-04-05	WRITER	AL-ALL.HUSAIN
02	DIM REVISED TO SUIT VENDOR P# 98043	HUSAIN	21-02-04	INITIATOR & CHECK	M.SIRAJUDDIN
01	VENDOR PART # WAS AMP#98004	HUSAIN	09-11-03	VERIFIED	Moh'd Al Sayyed
Rev #	Revision Details	Designer	Rev.Date	APPROVAL	MATHEW
				Issue Date	21-07-2003
				File Ref.	Zacsrv2\Eng-Specs\800\ 20823