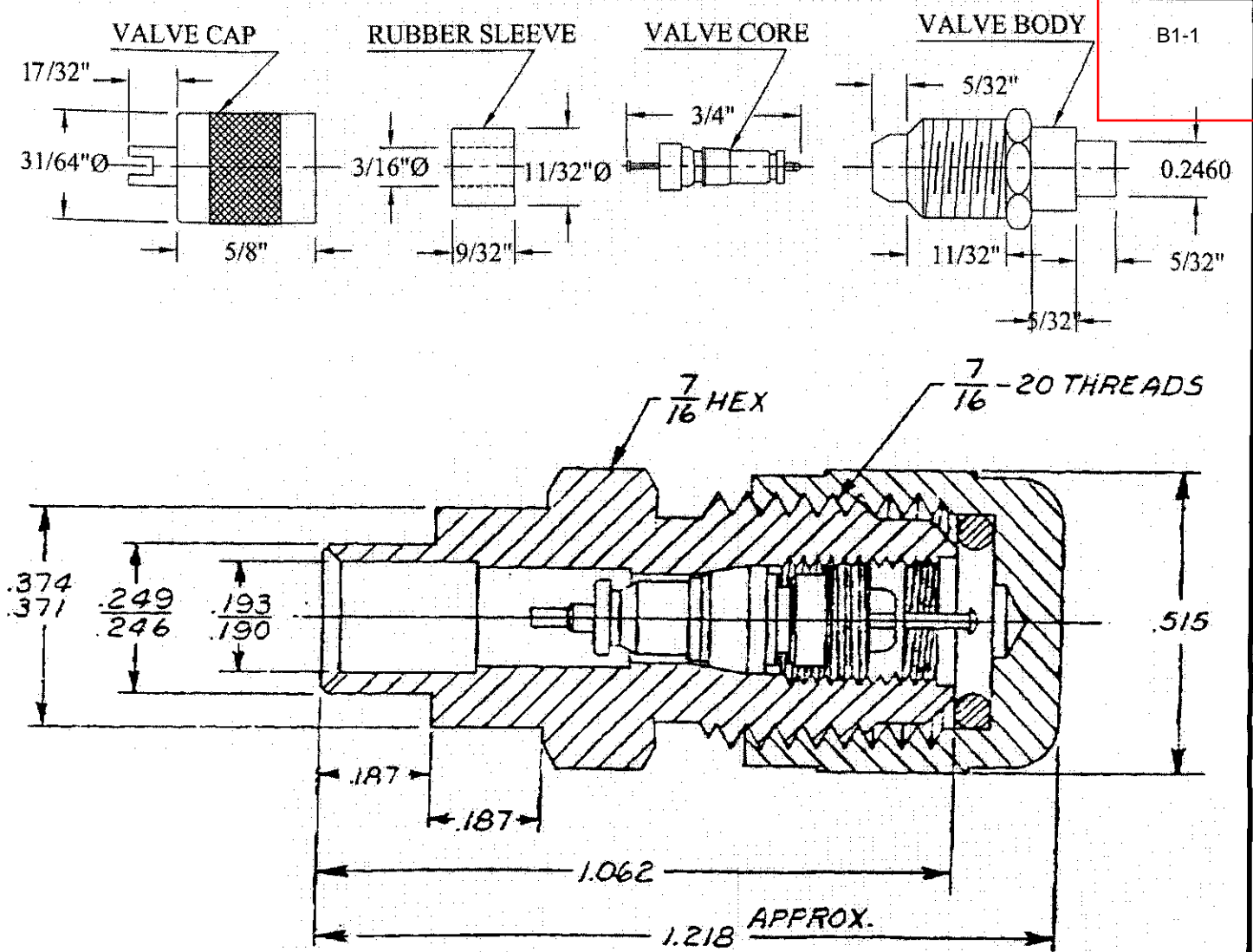


Part Description : ACCESS VALVE 1/4 O.D SWT.



DESCRIPTION : ACCESS VALVE 1/4 O.D SWT
MATERIAL : BRASS
FINISH : MILL

APP. VENDOR : HI-LO VALVE MFG. COM- P/N 456
 : MADDEN BRASS PRODUCTS CO. CAT No. VUS 3-346
 : WATSCO INC. P/N. AV3-346
 : C & D P/N. CD4545
 : WAGNER PRODUCT CORP.
 : DIVERSITECH P/N. VA-3-346B

ALL DIMENSION ARE IN INCHES				SHEET 1 of 1		SCALE : N.T.S	
Tolerance: : Unless noted (±) : fraction 1/32" ; Decimal 0.031				WRITER	AL-ALI. HUSAIN		
				INTIATOR & VERIFIED	SIRAJUDDIN		
				CHECK	MATHEW		
03	ADDED DIVERSITECH VENDOR	HUSAIN	26-04-04	APPROVAL	H.A.BOUNYAN		
02	ADDED NEW VENDOR AND SHEET 4 OF 4 ADDED			Issue Date	06-09-1983		
02	REDRAWN IN AUTOCAD ADDED SAGINOMIYA			File Ref.	Zticnas\Eng-Specs\800\20708		
REV#	Revision Details	Designer	Rev.Date				