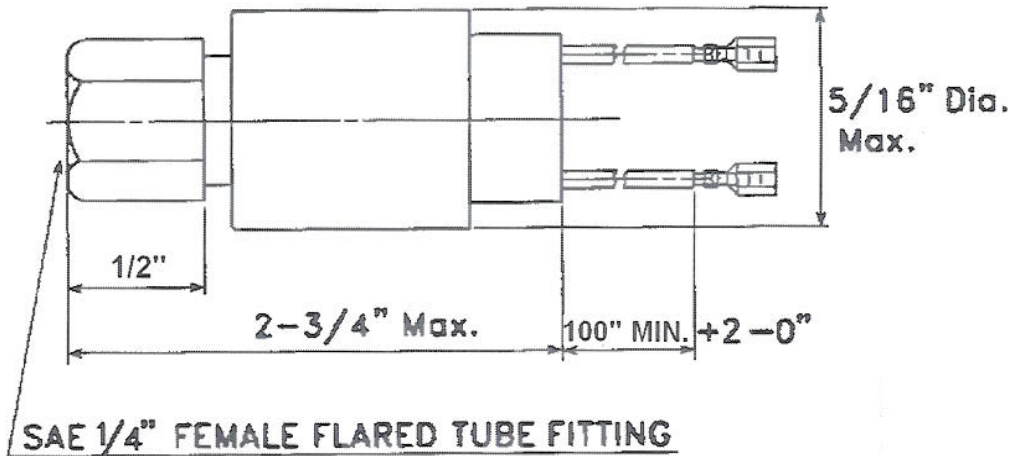


Part No.	800-558-02	REV.	01
Ref. Code	407		
U.O.M.	EA		
Engg. Ref.	UC/UP/AC/AP		

Part Description : HIGH PRESSURE CONTROL NON ADJUSTABLE -350PSIG (R134a)



RR1-1

VENDOR & P/N : CHANG HENG, YK-03H 098-350K300K

SETTING : OPEN 350PSIG (+,-) 10PSIG; CLOSE 300 PSIG (+,-)10 PSIG

MOUNTING : 1/4 SAE FEMALE FLARE TUBE FITTING

TORQUE SPECIFICATION : 180Inch Lbs (+,-) 12Inch. Lbs

**LEADS : #18AWG STD. WIRE WITH 4/64" PVC, 600 VOLT INSULATION 105°C,
LEAD TO BE 100" LONG (+2",-0"), STRIPPED & FREE END TO BE FIXED
WITH 1/4" Q.C. TERMINALS**

LEADS COLOR : RED

ELECTRICAL RATING : REFER SHEET 2 OF 3

NOTE:

1. PRESSURE CONTROL CANTACTS TO BE WATER PROOF
2. PART MUST BE MARKED WITH CUT-OUT & CUT-IN PRESSURES
3. PRESSURE CONTROL TO BE UL LISTED



****: INFORMATION TO BE PROVIDED BY VENDOR**

ALL DIMENSION ARE IN INCHES				SHEET 1 of 3		SCALE : N.T.S	
Tolerance: : Unless noted (±) : fraction 1/32" ; Decimal 0.031				WRITER	AL-ALI. HUSAIN		
				INTIATOR	MURAD		
				CHECK	MURAD/ FASI		
				VERIFIED	M.SIRAJUDDIN		
				APPROVAL	MATHEW		
01	ADDED NEW VENDOR (HARTLAND)	HUSAIN	16-06-09	Issue Date	30-06-2007		
REV#	Revision Details	Designer	Rev.Date	File Ref.	Ziicnas\Eng-Specs\800\55802		

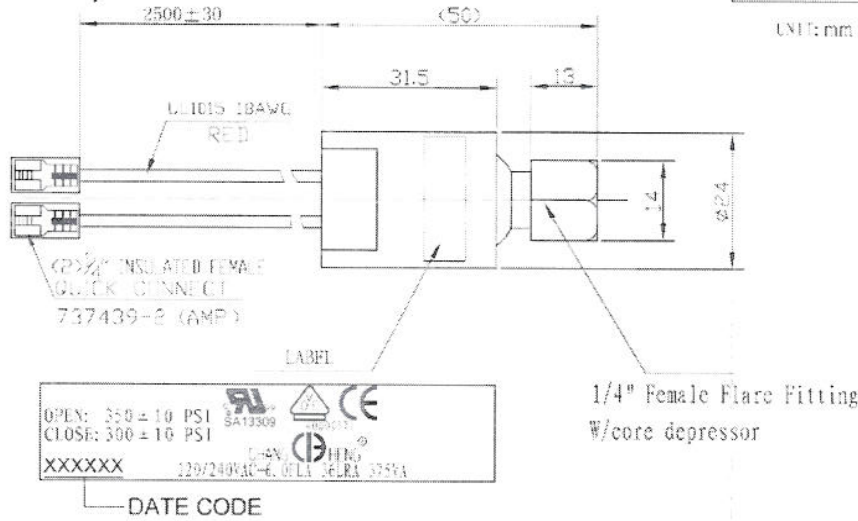
Part No.	800-558-02	REV.	01
Ref. Code	407		
U.O.M.	EA		
Engg. Ref.	UC/UP/AC/AP		

Part Description : HIGH PRESSURE CONTROL NON ADJUSTABLE -350PSIG (R134a)

RoHS Compliant

REVISION: 01

RR1-2



TECHNICAL SPECIFICATIONS

ACTUATION/OPEN PRESSURE	350+/-10 PSI
RELEASE/CLOSE PRESSURE	300+/-10 PSI
PROOF PRESSURE	600 PSI
BURST PRESSURE	5000 PSI
TEMPERATURE RANGE	Ambient: -30°C to +80°C Fluid: -50°C to +120°C
ELECTRICAL RATING	120/240VAC-6.0FLA 36LRA 375VA 120/240VAC-375VA 24VAC-125VA 28VAC-2AMP
LIFE AT RATED LOAD	100,000 Cycles
DIELECTRIC STRENGTH	750 VRMS open switch 1550 VRMS terminals to fitting
SWITCH CONFIGURATION	SPST, at atmospheric pressure: CLOSED



CUSTOMER NAME:

CUSTOMER P/N:

DRAWING DATE: June 26th, 2007

CHANGHENG P/N: YK-03H 098-350K 300K



ALL DIMENSION ARE IN mm

SHEET 2 of 3

SCALE : N.T.S

Tolerance: : Unless noted (±) : fraction 1/32" ; Decimal 0.031

				WRITER	AL-ALI. HUSAIN	
				INTIATOR	MURAD	
				CHECK	MURAD/ FASI	
				VERIFIED	M.SIRAJUDDIN	
				APPROVAL	MATHEW	
01	ADDED NEW VENDOR (HARTLAND)	HUSAIN	16-06-09	Issue Date	30-06-2007	
REV#	Revision Details	Designer	Rev.Date	File Ref.	Ziencas\Eng-Specs\800\55802	

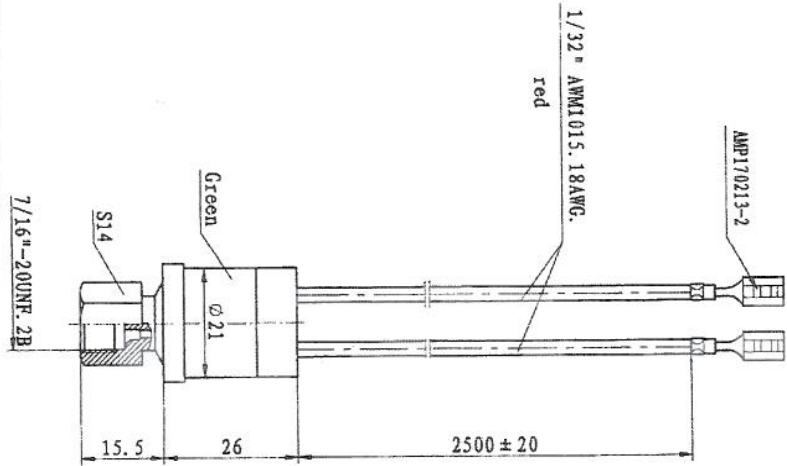
Part No.	800-558-02	REV.	01
Ref. Code	407		
U.O.M.	EA		
Engg. Ref.	UC/UP/AC/AP		

Part Description : HIGH PRESSURE CONTROL NON ADJUSTABLE -350PSIG (R134a)

RR1-3

Label:
For: HC

1/32" AMM1015, 18AWG.
red



Part No.	800-558-02	Part Name	HIGH PRESSURE CONTROL NON ADJUSTABLE -350PSIG (R134a)
Rev.	01	Rev. Date	
Drawn By	AL-ALI HUSAIN	Checked By	MURAD
Designed By	MURAD	Approved By	
Customer No.		Customer Name	
Customer Address		Customer Contact	
Customer Phone		Customer Email	
Customer Fax		Customer Website	
Customer PO Box		Customer City	
Customer State		Customer Country	
Customer Zip		Customer Notes	

Operation Characters	ON (psig) 300 ± 15	OFF (psig) 350 ± 10
Electrical Ratings	120/240VAC, 375VA 120VAC, 5.8FLA-34.8LRA 240VAC, 2.9FLA-15LRA 28VAC/DC, 2A	
Contactor Style		
Contact Resistance	< 20mΩ (Except Lead Wire)	
Insulation Resistance	DC500V Not Less Than 100MΩ	
Insulation Strength	Endure AC1500V x 1min	
Maximum Operating Pressure	650 psig	
Leakage Testing Pressure	650 psig	
Burst Pressure	5000 psig	
Ambient Temperature	-35°C ~ 65°C	
Medium Temperature	-35°C ~ 135°C	
Life Cycles	100,000 Cycles	
UL	E257030, E200318	

QUALIFIED
17/6/09
DATE

ALL DIMENSION ARE IN mm		SHEET 3 of 3		SCALE : N.T.S	
Tolerance: : Unless noted (±) : fraction 1/32" ; Decimal 0.031		WRITER	AL-ALI HUSAIN		
		INTIATOR	MURAD		
		CHECK	MURAD/ FASI		
		VERIFIED	M.SIRAJUDDIN		
		APPROVAL	MATHEW		
01	ADDED NEW VENDOR (HARTLAND)	HUSAIN	16-06-09	Issue Date	30-06-2007
REV#	Revision Details	Designer	Rev.Date	File Ref.	Ziicnas\Eng-Specs\800\55802