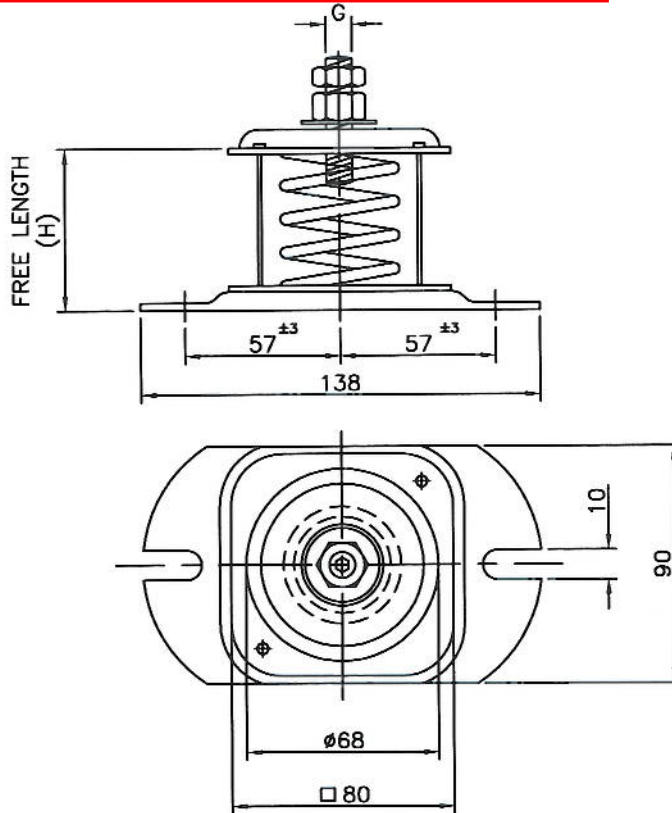


Part No..	801-038-SUF (50-61)
Ref. Code	202
U.O.M.	EA
Engg.Ref.	AD

Part Description: ISOLATOR TYPE EFH

VENDOR : IT ISOLIERTECHNIK UND SCHALLSCHUTZ GMBH

111-1



SUFFIX; P= 70 MICRON POWDER COATING

SU	REV	TYPE	FORCE IN NEWTON		G	H (mm)
			MIN.	MAX.		
50	01	EFH 101 V	125	250	M 10	61
51	01	EFH 103 V	200	400	M 10	61
52	01	EFH 105 V	300	600	M 10	61
53	01	EFH 108 V	450	900	M 10	61
54	01	EFH 112 V	750	1500	M 12	87
55	01	EFH 120 V	1000	2000	M 12	87

SU	REV	TYPE	FORCE IN NEWTON		G	H (mm)
			MIN.	MAX.		
56	01	EFH 130 V	1350	3000	M 12	87
57	01	EFH 103 W	150	360	M 12	83
58	01	EFH 105 W	250	600	M 12	87
59	01	EFH 108 W	400	900	M 12	87
60	01	EFH 112 W	700	1200	M 12	83
61	01	EFH 116 W	900	1600	M 12	83

QUALIFIED
22 DEC 2010
QA DATE

**: INFORMATION TO BE PROVIDED BY VENDOR				SHEET 1 OF 1		SCALE: N.T.S.	
ALL DIMENSIONS ARE IN mm.				WRITER		AL-ALI HUSSAIN	
Tolerance: Unless noted(±):Fraction: 1/32; Decimal: 0.031"				INITIATOR		FAHEEM	
				CHECK		NARENDRA	
				VERIFIED		OTHMAN	
				APPROVAL		SAMI BANAT	
01	ADDED NOTE '70 MICRON POWDER COATING'			HUSAIN	19-12-10	Issue Date	20-03-2000
Rev#	Revision Details			Designer	Rev.Date	File Ref.	ZIICNAS\Eng-specs\80103850-61