



RESEARCH & DEVELOPMENT
ENGINEERING SPECIFICATION

Part No..	801-013 SU (74 TO 78)	REV.
Ref. Code	302	--
U.O.M.	EA	
Engg.Ref.	KW Series	

Part Description: BLOWER KIT ASSEMBLY

APPROVED VENDOR : comefri
THLZ 225 TA TO THLZ 560 TA

1GG-1

TECHNICAL CHARACTERISTICS:

- SCROLL : Manufactured from high quality galvanized steel.
- IMPELLER : Have backward curved impellers manufactured in glass reinforced polyamid/mild steel. Impellers blades are mounted on the back plate and locked on to the holding shroud. Impellers are statically and dynamically balanced in accordance with ISO 1940/1, G 6.3.
- BLOWER MOUNT: Steel frame section painted with epoxy paint & have cast iron bearing supports with grease points.
- BEARINGS : Ball bearing type hermetically sealed, self aligning and with an eccentric ring for clamping to shaft.
- SHAFT : Shaft are manufactured from high quality steel, key way at both ends and at the impeller location points.

Blower kit to be comprised and assembled of the following items.

- 1) Scroll 2) Impeller 3) Bearings 4) Cut off 5) Shaft 6) Key
7) Blower/Bearing mount frame 8) Outlet flange

- SUFFIX A : INLET VANE CONTROL
B : INLET GUARD
C : SHAFT GUARD
D : INSPECTION DOOR
E : DRAIN PLUG
F : EXPLOSION PROOF DESIGN
G : EXTENDED GREASE LINES
H : FAN EXPOXY COATED
Z : SPECIAL DESIGN (SPECIFY)

** INFORMATION TO BE PROVIDED BY VENDOR

ALL DIMENSIONS ARE IN mm.

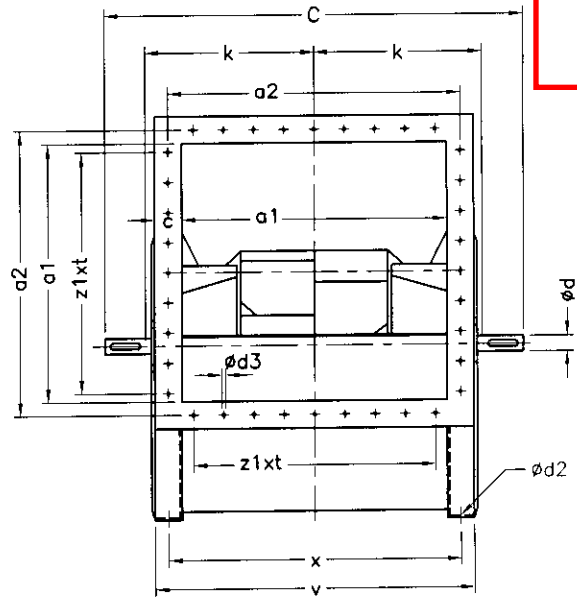
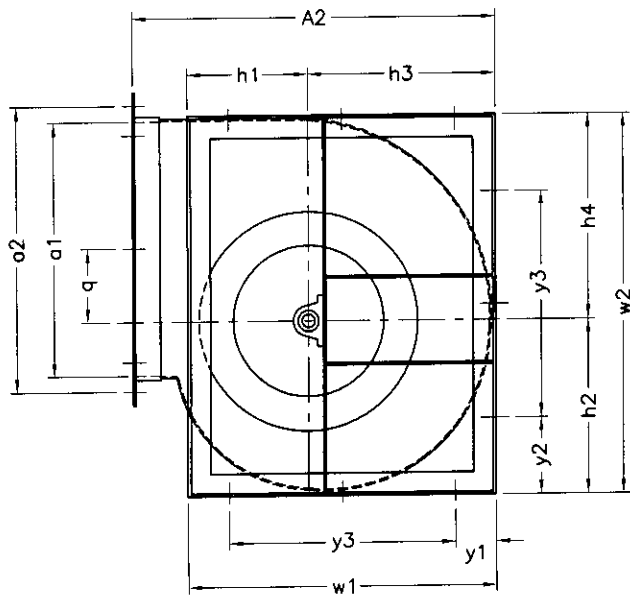
Tolerance: Unless noted(±):Fraction: 1/32; Decimal: 0.031"

SHEET 1 OF 2	SCALE: N.T.S.
Prepared by	VINOD
Checked by	ANWAR
	IHSAN
	ASIF PASHA
Approved by	H.A. BOUNYAN
Issue Date	10-05-2003
File Ref.	\\ZICCEIP001\PE\80101374-78

Rev#	Revision Details	Designer	Rev.Date
------	------------------	----------	----------

Part Description: **BLOWER KIT ASSEMBLY**

1GG-2



SU	REV	ENGG REF	THLZ...TA	A2	a1	a2	C	c	ød	ød2	ød3	h1	h2
74	00	KW03/04	225	382	288	318	435	25	20	7.5	7.5	146	169
75	00	KW05/06	280	467	361	391	540	25	25	7.5	7.5	181	211
76	00	KW08/10	355	579	453	483	655	25	30	10	7.5	225	266
77	00	KW13/16	450	726	569	599	810	25	35	12	7.5	270	336
78	00	KW20/25	560	892	715	745	1000	25	40	15	7.5	335	419

SU	REV	ENGG REF	THLZ...TA	h3	h4	q	v	w1	w2	x	y1	y2	y3	z1xt
74	00	KW03/04	225	202	246	100	339	348	416	314	62	96	224	3 x 90
75	00	KW05/06	280	252	307	123	422	432	518	392	77	119	280	3 x 90
76	00	KW08/10	355	318	389	158	534	542	655	494	94	150	355	4 x 90
77	00	KW13/16	450	404	491	202	650	674	828	611	112	189	450	6 x 90
78	00	KW20/25	560	502	611	248	818	838	1030	768	169	265	500	7 x 90

** INFORMATION TO BE PROVIDED BY VENDOR

ALL DIMENSIONS ARE IN mm.

Tolerance: Unless noted(±):Fraction: 1/32; Decimal: 0.031"

SHEET 2 OF 2

SCALE: N.T.S.

Prepared by VINOD

Checked by ANWAR

IHSAN

ASIF PASHA

Approved by H.A. BOUNYAN

Issue Date 10-05-2003

Rev# Revision Details

Designer

Rev.Date

File Ref.

\\ZICCEIP001\PE\80101374-78